



**Lusac**



**Raybestos**  
The best in brakes

## TABLA DE APLICACIONES ESPECÍFICAS POR LÍNEA DE PRODUCTO





## TABLA DE APLICACIONES POR LÍNEA DE PRODUCTO

| CILINDROS MAESTROS |                             |                       |                 |   |             |
|--------------------|-----------------------------|-----------------------|-----------------|---|-------------|
| NÚMERO DE PARTE    | NÚMERO CIL. MTRO. RAYBESTOS | NÚMERO REPUESTO LUSAC | MEDIDA          | APLICACIÓN  | FOTO PÁGINA |
| 544                | MC544                       | 3613                  | 31.7 mm 1-1/4"  | Chrysler Dodge Camioneta D-100, D-150, D-200, D-250, D-300, 57-58.                                  | 504         |
| 661                | MC661                       | 3622                  | 38.1 mm 1-1/2"  | I.H.C Camión 41-69, Mack 46-63, Red 46-62.  | 504         |
| 681-MC             | MC681                       | 3613                  | 31.7 mm 1-1/4"  | I.H.C Camión Serie 1600, 1700, 1800 50-82.  | 504         |
| 785                | MC785                       | 3649                  | 38.1 mm 1-1/2"  | Chrysler Dodge Camioneta 300 al 700 57-58, 500, 600 1957-58 700, 800, 41-58                         | 504         |
| 1050               | MC1050                      | 5375                  | 26.9 mm 1-1/16" | Ford 39-48 Camioneta 39-56  | 504         |
| 1251               | MC1251                      | 5350                  | 44.4 mm 1-3/4"  | Chevrolet Camión 500 44-49  | 504         |
| 1461               | MC36483                     | 3631                  | 28.5 mm 1-1/8"  | Ford Eaton Yale y Town USA  | 504         |
| 1722               | MC1722                      | 3631                  | 28.5 mm 1-1/8"  | Chevrolet Camión Serie 120 50-62  | 504         |
| 2796               | MC2796                      | 11300                 | 25.4 mm 1"      | VAM Classic 55-57, American 58-61   | 504         |
| 2842               | MC2842                      | 8449                  | 44.4 mm 1-3/4"  | I.H.C. Camión Serie 1600, 1700 73-83  | 504         |
| 3241               | MC3241                      | 13504                 | 28.5 mm 1-1/8"  | Chrysler Dodge 46-56, Plymouth 42-54  | 504         |
| 3434               | MC3434                      | 3626                  | 25.4 mm 1"      | Chevrolet Early 40-56 Chevrolet Autos 35-52 Camioneta 38-50 Corvette 53-62                          | 504         |
| 3573               | MC3573                      | 3631                  | 28.5 mm 1-1/8"  | Dina Camioneta 78-80, Ford Camioneta 67-68, VAM Classic 41-54                                       | 504         |
| 4572               | MC4572                      | 3613                  | 31.7 mm 1-1/4"  | Ford Camión P-350, P-400 61-66  | 504         |
| 9220               | MC9220                      | 3630                  | 31.7 mm 1-1/4"  | Chevrolet C-10, C-15, C-30 y C-60 60-66   | 504         |
| 9221               | MC9221                      | 3630                  | 31.7 mm 1-1/4"  | Chevrolet Camión 40, 400, 4000 52-54  | 504         |
| 14019              | MC14019                     | 5375                  | 26.9 mm 1-1/16" | Ford Camión 3/4 1 Ton. 53-56  | 505         |
| 14021              | MC14021                     | 3613                  | 31.7 mm 1-1/4"  | Ford Camioneta F-250, F-350 46-56   | 505         |
| 18000              | MC18000                     | 13634                 | 25.4 mm 1"      | Ford 52-66, Mustang 64-66, VAM Classic 58-59  | 505         |
| 19450              | MC19450                     | 19435                 | 38.1 mm 1-1/2"  | Ford Camión 500, 600, 700 68-83   | 505         |
| 21000              | MC21000                     | 19356                 | 25.4 mm 1"      | Chevrolet Camión Pasajeros 55-58.   | 505         |
| 21680              | MC21680                     | 13621                 | 28.5 mm 1-1/8"  | Chevrolet Camión Serie 3100 al 3800 55-69   | 505         |
| 21918              | MC21918                     | 13621                 | 28.5 mm 1-1/8"  | Chevrolet C-10 51-59, C-20, C-30 53-59  | 505         |
| 22975              | MC22975                     | 19429                 | 26.9 mm 1-1/16" | Ford Camioneta F-100, F-200, F-350 57-60  | 505         |
| 22976              | MC22976                     | 19430                 | 31.7 mm 1-1/4"  | Chrysler Dodge Camioneta D-300, D-350 57-63, Ford B,F-500 70-77 con Booster                         | 505         |
| 22977              | MC22977                     | 19432                 | 38.1 mm 1-1/2"  | Ford F-600 60-62, F-700 57-62   | 505         |
| 22978              | MC36177                     | 19431                 | 44.4 mm 1-3/4"  | Ford Camión F-700 68-72, F-500 70-72 USA  | 505         |
| 25517              | MC25517                     | 106356                | 26.9 mm 1-1/16" | Ford Camión, Camioneta Varios 57-77   | 505         |
| 27047              | MC36063                     | 19372                 | 28.5 mm 1-1/8"  | Chrysler Dart 56-61, Valiant 60-66  | 505         |
| LC-27304           | MC27304                     | 19432                 | 38.1 mm 1-1/2"  | Chrysler Dodge 500,600, 59-77, D-700, 800 59-71, Ford F-500 73-77, F-600, 700 61-76, B, F-500 70-77 | 505         |
| 32839              | MC36066                     | 31092                 | 28.5 mm 1-1/8"  | Chrysler Dodge D100 59-68, Camión Varios 59-77  | 505         |
| 32900              | MC32900                     | 13634                 | 25.4 mm 1"      | Ford 52-66, Mustang 64-66, VAM American Classic 58-59   | 505         |
| 34224              | MC35036                     | 33108                 | 25.4 mm 1"      | VAM Classic American 61, Jeep 55-66   | 506         |
| 34403              | MC34403                     | 33160                 | 25.4 mm 1"      | Chevrolet C-10, C-20, C-30, C-50, C-60 60-66  | 506         |
| 34404              | MC34404                     | 33160                 | 28.5 mm 1-1/8"  | Chevrolet C-10 61-66, C-K-20 60-63, C-30 60-62  | 506         |
| 34451              | MC7819089 A                 | 464480                | 31.7 mm 1-1/4"  | Chevrolet Camión 40, 50 66-69   | 506         |
| 36313              | MC36067                     | 33192                 | 25.4 mm 1"      | Ford Camión E-100 61-66   | 506         |
| 36413              | MC36413                     | N/D                   | 19.0 mm 3/4"    | Mazda B 1800 Pick up 66-72 USA  | 506         |
| 36482              | MC36482                     | N/D                   | 19.0 mm 3/4"    | Nissan 510 67-72, Nissan 200SX 77-79, Nissan 610 71-72 Nissan 710 , 74-77 Nissan B210 74-78 USA     | 506         |
| 36666              | MC21698                     | 3630                  | 31.7 mm 1-1/4"  | Chevrolet Mot. C 61-64  | 506         |


**Lusac**

**Raybestos**  
*The best in brakes*
**TABLA DE APLICACIONES POR LÍNEA DE PRODUCTO**

| CILINDROS MAESTROS |                             |                       |                |  |             |
|--------------------|-----------------------------|-----------------------|----------------|--|-------------|
| NÚMERO DE PARTE    | NÚMERO CIL. MTRO. RAYBESTOS | NÚMERO REPUESTO LUSAC | MEDIDA         | APLICACIÓN   | FOTO PÁGINA |
| 36706              | MC36218                     | 33158                 | 25.4 mm 1"     | Chrysler Barracuda, Coronet, Dart, Super Bee 65-66   | 506         |
| 37073              | MC36071                     | 33196                 | 28.5 mm 1-1/8" | Ford Camioneta F-250 61-65   | 506         |
| 39006              | MC39006                     | N/D                   | 19.0 mm 3/4"   | Volkswagen Golf GTI A2 91-92.  | 506         |
| 39009              | MC39009                     | N/D                   | 28.5 mm 1-1/8" | Chevrolet Camioneta C-10 Suburban 76-80, Camta. C20 Suburban 76-80, Camta. C20, C25 Pickup 76-80 USA   | 506         |
| 39038              | MC39038                     | N/D                   | 23.8 mm 15/16" | Toyota Corona 76-78 USA  | 506         |
| 39039              | MC39039                     | N/D                   | 20.6 mm 13/16" | Toyota Corolla 79-75 USA   | 506         |
| 39040              | MC39040                     | N/D                   | 20.6 mm 13/16" | Toyota Celica 79-76 USA  | 506         |
| 39087              | MC39087                     | N/D                   | 17.4 mm 11/16" | Nissan Estaquitas 72-86  | 506         |
| 39153              | MC39153                     | N/D                   | 20.6 mm 13/16" | Nissan 210 79-82, Nissan 510 78-81, Maxima 77-80 USA   | 507         |
| 39210              | MC39210                     | N/D                   | 24.0 mm        | Chevrolet Calais, Century, Cutlass, El Camino, Grand Prix, LeMans, Malibu, Monte Carlo, Regal 81, Riviera, Toronado 79-81, USA   | 507         |
| 39276              | MC39276                     | 686                   | 22.2 mm 7/8"   | Nissan Camioneta Estaquitas 87-03 Pick Up Doble Cabina 82-90 (Cilindro Tokico)   | 507         |
| 39297              | MC39297                     | N/D                   | 15.8mm/22.2mm  | Volvo 240 77-87, Volvo 260 76-82 Conexión lado Izquierdo USA   | 507         |
| 39298              | MC39298                     | N/D                   | 15.8mm/22.2mm  | Volvo 240 75-93, Volvo 260 76-82, Volvo Bertone 80-81, Volvo DL/GL 80-88, Volvo GLE, Coupe, 760 80-82, Volvo GLT Series 81-84, Volvo GT Series 80 Conexión lado Derecho USA  | 507         |
| 39308              | MC39308                     | N/D                   | 30 mm          | Chevrolet Blazer 91, G-20 Nacional, Caprice 81-85, GM G20, G25 83-95, GM. C10 Suburban 81-86, GM C10, C15 Pickup 81-86, GM C20 Suburban 82-86, GM C20, C25 Pickup 82-86, GM K10 Suburban 81-86, GM K10, K15 Pickup 81-86, GM K20 Suburban 81-86, GM K20, K25 Pickup 81-86, USA | 507         |
| 39317              | MC39317                     | N/D                   | 22.2 mm 7/8"   | Nissan 720 81-83 USA   | 507         |
| 39319              | MC39319                     | N/D                   | 22.2 mm 7/8"   | Nissan Maxima 82-84 USA  | 507         |
| 39330              | MC39330                     | N/D                   | 29.0mm/40.0mm  | Chevrolet G10 81-84, GM G20 81-84, GM P20 81-84, USA   | 507         |
| 39348              | MC39348                     | N/D                   | 23.8 mm 15/16" | Toyota Pick-up 80-83 USA   | 507         |
| 39355              | MC39355                     | N/D                   | 25.4 & 36.0mm  | Chevrolet Cadillac Eldorado 82-85, Seville 82-85, Oldsmobile Toronado 82-85 USA  | 507         |
| 39360              | MC39360                     | N/D                   | 20.6 mm 13/16" | Mazda GLC 81-85 USA  | 507         |
| 39364              | MC39364                     | N/D                   | 22.2 mm 7/8"   | Ford Courier 81-82 USA, Mazda B2000 80-82 USA  | 507         |
| 39385              | MC39385                     | N/D                   | 24.0mm/31.7mm  | Chevrolet Camaro con Tambor Trasero 82-83, Firebird con Tambor Trasero 82-83 USA   | 507         |
| 39388              | MC39388                     | N/D                   | 23.8 mm 15/16" | Ford Bronco II 84-85, Ford Ranger 83-85 USA  | 507         |
| 39403              | MC39403                     | N/D                   | 23.8 mm 15/16" | Toyota Pick-up 76-78 USA   | 507         |
| 39404              | MC39404                     | N/D                   | 23.8 mm 15/16" | Toyota Celica 85-82 USA  | 508         |
| 39406              | MC39406                     | 688                   | 19.0 mm 3/4"   | Nissan Hikari 88-92, Ninja Turbo 86-87, Samurai 81-82, y 84-87, Tsuru I 84-87, Tsuru II 88-92 ( Cilindro Nabco)  | 508         |
| 39411              | MC39411                     | N/D                   | 22.2 mm 7/8"   | Mazda 323 87-86, Mazda 626 87-83 USA   | 508         |
| 39413              | MC39413                     | N/D                   | 28.6 & 40 mm   | Chevrolet. Blazer 87-91, C10 Suburban 81-86, C10, C15 Pickup 81-86, C20 Suburban 81-86, C20, C25 Pickup 81-86 USA  | 508         |
| 39419              | MC39419                     | N/D                   | 23.8 mm 15/16" | Chrysler Concord 82-83, Eagle 82-88, Jeep Cherokee 84-89, Jeep Comanche 86-89, Jeep Sportwagon 84, Jeep Wagoneer 84-89, Jeep Wrangler 87-89 USA  | 508         |
| 39422              | MC39422                     | N/D                   | 22.2 mm 7/8"   | Toyota Celica 81-80, Celica Supra 81-79 USA  | 508         |
| 39423              | MC39423                     | N/D                   | 20.6 mm 13/16" | Toyota Corolla 82-80 USA   | 508         |
| 39426              | MC39426                     | N/D                   | 20.6 mm 13/16" | Honda Accord 82-85, Honda Civic 84-87, Honda CRX 84-87, Honda Prelude 83-87 USA  | 508         |
| 39453              | MC39453                     | N/D                   | 22.2 mm 7/8"   | Isuzu Pickup 87-84, Trooper II 86-84 USA   | 508         |



## TABLA DE APLICACIONES POR LÍNEA DE PRODUCTO

| CILINDROS MAESTROS |                            |                       |                |  |             |
|--------------------|----------------------------|-----------------------|----------------|--|-------------|
| NÚMERO DE PARTE    | NÚMERO CIL. MTR. RAYBESTOS | NÚMERO REPUESTO LUSAC | MEDIDA         | APLICACIÓN   | FOTO PÁGINA |
| 39454              | MC39454                    | N/D                   | 20.6 mm 13/16" | Toyota Tercel 83-84 al 28-02 USA   | 508         |
| 39458              | MC39458                    | N/D                   | 20.6 mm 13/16" | Toyota Corolla 83 USA  | 508         |
| 39465              | MC39465                    | N/D                   | 20.6 mm 13/16" | Mazda Mazda B2000 83-84 USA  | 508         |
| 39473              | MC39473                    | N/D                   | 22.2 mm 7/8"   | Chrysler Colt Vista 84-87 USA, Mitsubishi Cordia 84-87, Mitsubishi Galant 86-87, Mitsubishi Tredia 83-88 USA     | 508         |
| 39486              | MC39486                    | N/D                   | 22.2 mm 7/8"   | Chevrolet Nova 88-85 Nacional, Toyota Corolla 87-84 USA  | 508         |
| 39498              | MC39498                    | N/D                   | 19.7 mm 45/64" | Ford Escort 83-90, Ford EXP 83-87, Lynx 83-87, Mercury LN7 83 USA  | 508         |
| 39499              | MC39499                    | N/D                   | 20.6 mm 13/16" | Mazda B2200 83-84 USA  | 508         |
| 39500              | MC39500                    | N/D                   | 20.6 mm 13/16" | Toyota 4Runner 84-88 USA   | 509         |
| 39509              | MC39509                    | N/D                   | 23.8 mm 15/16" | Nissan 720/D21 standard and heavy duty 2WD SRW 11/1982-10/1985, Nissan 720/D21 4WD 1/1983-10/1985 USA            | 509         |
| 39510              | MC39510                    | N/D                   | 23.8 mm 15/16" | Toyota Cressida with 7.5" booster 85-87 USA  | 509         |
| 39518              | MC39518                    | N/D                   | 23.8 mm 15/16" | Toyota Pickup 85-88 USA  | 509         |
| 39540              | MC39540                    | N/D                   | 23.8 mm 15/16" | Ford Aerostar 86 USA   | 509         |
| 39547              | MC39547                    | N/D                   | 20.6 mm 13/16" | Isuzu I-Mark 85-89 USA, Chevrolet Spectrum 85-88, GeoSpectrum 89 USA   | 509         |
| 39553              | MC39553                    | N/D                   | 20.6 mm 13/16" | WV Corsar 83-84 VW Quantum 85-88 USA   | 509         |
| 39555              | MC39555                    | 681                   | 19.0 mm 3/4"   | Nissan Hikari 88-92, Samurai 83-84, Tsuru I 84-87, Tsuru II 88-92, (Cilindro Tokico)                             | 509         |
| 39565              | MC39565                    | N/D                   | 24.0mm/36.0mm  | Chevrolet Olds 88 86, Cadillac Deville 86, Cadillac Fleetwood 86 USA   | 509         |
| 39566              | MC39566                    | N/D                   | 28.6 & 40 mm   | Chevrolet Cadillac Deville/Cocours 94-96, Cadillac Deville 91-93 sin ABS   | 509         |
| 39567              | MC39567                    | N/D                   | 23.8 mm 15/16" | Ford Bronco II, Ranger 86-90   | 509         |
| 39568              | MC39568                    | N/D                   | 23.8 mm 15/16" | Ford Bronco II 86-90, Ford Explorer 91-94, Ford Ranger 86-89 USA   | 509         |
| 39571              | MC39571                    | 107051                | 24.0 & 36.0 mm | Chevrolet Pick Up S-10 95, Blazer 95   | 509         |
| 39581              | MC39581                    | N/D                   | 24 & 31.7 mm   | Chevrolet Astro Mini Van 85-89, Safari Mini Van 85-89 USA  | 509         |
| 39590              | MC39590                    | N/D                   | 22.2 mm 7/8"   | Chrysler Dodge D50, Ram 50 87-88, Dodge Raider 87 USA, Mitsubishi Montero; 83-87, Mitsubishi Truck 87-88 USA     | 509         |
| 39591              | MC39591                    | N/D                   | 23.8 mm 15/16" | Toyota Celica 86-88 USA  | 509         |
| 39592              | MC39592                    | N/D                   | 23.8 mm 15/16" | Nissan Pick Up Doble Cabina 91-92  | 510         |
| 39593              | MC39593                    | N/D                   | 25.4 mm 1"     | Nissan Pick Up D-21 91-96, Pick up 250 94-96   | 510         |
| 39594              | MC39594                    | N/D                   | 23.8 mm 15/16" | Nissan D-21 pickup Cil. Tokico 85-88, Nissan Pathfinder sin ABS 89 USA   | 510         |
| 39596              | MC39596                    | N/D                   | 23.8 mm 15/16" | Nissan D21 86-88, Nissan Pathfinder 89 USA   | 510         |
| 39599              | MC39599                    | N/D                   | 19.0mm/23.8mm  | Nissan Nissan Pulsar 1.6L except. Doble Arbol de Levas 87-88, Nissan Sentra, no wagon 86-88 USA                  | 510         |
| 39600              | MC39600                    | N/D                   | 23.8 mm 15/16" | Nissan 200SX 84-88, Nissan 300ZX Turbo y no turbo 84-89 USA  | 510         |
| 39606              | MC39606                    | N/D                   | 25.4 mm 1"     | Nissan Nissan Maxima, (46010.34E02) 84-87 Nissan Stanza except wagon (46010.D5700) 86-89 USA                     | 510         |
| 39609              | MC39609                    | N/D                   | 25.4 mm 1"     | Toyota Toyota Van 86-88 USA  | 510         |
| 39612              | MC39612                    | N/D                   | 23.8 mm 15/16" | Toyota Camry 87-91 USA   | 510         |
| 39632              | MC39632                    | N/D                   | 25.4 mm 1"     | Ford Bronco 87, Ford E150 87, Ford F150 87 USA   | 510         |
| 39635              | MC39635                    | 114085                | 28.5 mm 1-1/8" | Ford F-250 94 y 96, F-350 94, P-350 89-91 y 94-96  | 510         |
| 39638              | MC39638                    | N/D                   | 24.0 mm        | Chrysler Dodge Dakota 87-93 USA  | 510         |
| 39639              | MC39639                    | N/D                   | 20.6 mm 13/16" | Chrysler Dodge Colt 81-91, Hyundai Excel 86-89, Mitsubishi Mirage 85-88, Precis 87-89, Plymouth Champ 79-82 USA  | 510         |
| 39640              | MC39640                    | N/D                   | 23.8 mm 15/16" | Chrysler D50 W/4WD 87-88, Dodge D50 89, Dodge Raider 88 USA, Mitsubishi Pick-up 87-89, Mitsubishi Montero 88 USA | 510         |



**Lusac**



**Raybestos**  
The best in brakes

CILINDROS MAESTROS

## TABLA DE APLICACIONES POR LÍNEA DE PRODUCTO

| CILINDROS MAESTROS |                             |                       |                |   |             |
|--------------------|-----------------------------|-----------------------|----------------|---|-------------|
| NÚMERO DE PARTE    | NÚMERO CIL. MTRO. RAYBESTOS | NÚMERO REPUESTO LUSAC | MEDIDA         | APLICACIÓN  | FOTO PÁGINA |
| 39643              | MC39643                     | N/D                   | 22.2 mm 7/8"   | Geo Spectrum 87-89 USA  | 510         |
| 39646              | MC39646                     | 1737                  | 28.5 mm 1-1/8" | Chrysler Ram 1500 94, Ram 2500 91-94, Ram Club Cab 91-93, Chevrolet Blazer Nevada 92-94, Suburban 88-94, C15 94, C-20, 25 88-91, C-20, C-25 y Cheyene 92-94 | 510         |
| 39648              | MC39648                     | N/D                   | 20.6 mm 13/16" | Suzuki Forsa 87-88 USA, Chevrolet Sprint 87-88 USA  | 511         |
| 39649              | MC39649                     | 39650                 | 31.7 mm 1-1/4" | Chevrolet Maxicab 91-93, C30,35 88-94   | 511         |
| 39651              | MC39651                     | N/D                   | 25.4 & 36.0mm  | Chevrolet GM C1500 Pickup standard cab, standard chassis 88-91, GM K1500 Pickup 88-91, GM R10 Suburban 88, GM R15 Suburban 89-91, USA                       | 511         |
| 39653              | MC39653                     | N/D                   | 22.2 mm 7/8"   | Honda Accord 86-88, Honda Prelude 85-87 USA, Acura Integra 86-89 USA  | 511         |
| 39654              | MC39654                     | N/D                   | 22.2 mm 7/8"   | Mazda Pickup 86-93 USA  | 511         |
| 39657              | MC39657                     | N/D                   | 22.2 mm 7/8"   | Toyota Pick up 1/2 ton 2WD no turbo 86-88 USA   | 511         |
| 39658              | MC39658                     | N/D                   | 23.8 mm 15/16" | Toyota Pickup 85-88 USA   | 511         |
| 39666              | MC39666                     | N/D                   | 22.2 mm 7/8"   | Toyota Camry 84-85 USA  | 511         |
| 39669              | MC39669                     | N/D                   | 23.8 mm 15/16" | Toyota Van 84-85 USA  | 511         |
| 39676              | MC39676                     | 191                   | 20.0 mm        | Volkswagen Corsar Variant 86-88, Corsar 85-86   | 511         |
| 39699              | MC39699                     | N/D                   | 20.6 mm 13/16" | Toyota 4 Runner 86-88, Toyota Pickup 86-88 USA  | 511         |
| 39703              | MC39703                     | N/D                   | 3/4" & 15/16"  | Mercedes Benz C220 95-97, C36 94-97   | 511         |
| 39704              | MC39704                     | N/D                   | 3/4" & 1"      | Mercedes Benz E420 93-97, E400 93   | 511         |
| 39716              | MC39716                     | N/D                   | 22.2 mm 7/8"   | Chevrolet Corvette 91   | 511         |
| 39720              | MC39720                     | N/D                   | 19.0 mm 3/4"   | Ford Festiva 88-93 USA  | 511         |
| 39735              | MC39735                     | N/D                   | 25.4 mm 1"     | Ford Colony Park 88-89, Country Squire 88-89, Crown Victoria 88-91, Gran Marquis 88-91, LTD 88-90 USA   | 511         |
| 39736              | MC39736                     | 116612                | 22.2 mm 7/8"   | Chrysler Shadow GTS Turbo 89, Spirit 90-95.   | 512         |
| 39743              | MC39743                     | N/D                   | 22.2 mm 7/8"   | Mazda 626 sin ABS 88-92, Mazda MX6 sin ABS 88-92 USA  | 512         |
| 39745              | MC39745                     | 114196                | 24.0 mm        | Chevrolet Silhouette 91   | 512         |
| 39748              | MC39748                     | N/D                   | 23.8 mm 15/16" | Chrysler Dodge D50, RAM 50, Dodge Raider 90-94 USA, Mitsubishi Montero Truck 89-91 y 90-95. USA   | 512         |
| 39757              | MC39757                     | N/D                   | 22.2 mm 7/8"   | Honda Prelude 88-90 USA   | 512         |
| 39765              | MC39765                     | N/D                   | 25.4 mm 1"     | Isuzu Amigo 2.6L 90-92, Isuzu pick up con discos tras. 2WD y 4WD 87-90, Isuzu Pickup 2.6L or 4WD 91-92, Isuzu Rodeo 91-92, USA                              | 512         |
| 39772              | MC39772                     | 120797                | 25.4 mm 1"     | Ford Taurus 90-91   | 512         |
| 39782              | MC39782                     | N/D                   | 25.4 mm 1"     | Isuzu Amigo 89-91, Isuzu Pickup 88-89 USA   | 512         |
| 39786              | MC39786                     | N/D                   | 23.8 mm 15/16" | Isuzu Amigo 2.3L 89-93, Isuzu Pickup 2 WD con Tambor trasero 88-92 USA  | 512         |
| 39791              | MC39791                     | N/D                   | 23.8 mm 15/16" | Nissan Pick Up D-21 99-01, Pick up doble cabina 97-00   | 512         |
| 39795              | MC39795                     | N/D                   | 23.8 mm 15/16" | Nissan Pathfinder 88-90 USA   | 512         |
| 39797              | MC39797                     | N/D                   | 23.8 mm 15/16" | Nissan Maxima Sin ABS. 92-93.   | 512         |
| 39799              | MC39799                     | N/D                   | 25.4 mm 1"     | Nissan Maxima Con ABS. 92-93.   | 512         |
| 39805              | MC39805                     | N/D                   | 20.6mm/25.4mm  | Nissan Pulsar NX 1.6 89-90, Nissan Sentra no wago 89-90 USA   | 512         |
| 39810              | MC39810                     | N/D                   | 22.2 mm 7/8"   | Nissan 240SX 93   | 512         |
| 39812              | MC39812                     | N/D                   | 20.6 mm 13/16" | Geo Metro sin ABS. (96060617) 89-94, Suzuki Swift (51100.60B20) 89-94 USA   | 512         |
| 39853              | MC39853                     | N/D                   | 20.6 mm 13/16" | Toyota Corolla 88-89 USA, Chevrolet Pontiac Tempest 91. Geo Prizm 89-90, Toyota Corolla 88-89 USA   | 513         |
| 39862              | MC39862                     | N/D                   | 28.5 mm 1-1/8" | Chrysler Dodge Ram VAM 3500, Ram Wagon 3500 96-97.  | 513         |



## TABLA DE APLICACIONES POR LÍNEA DE PRODUCTO

| CILINDROS MAESTROS |                            |                       |                 |   |             |
|--------------------|----------------------------|-----------------------|-----------------|---|-------------|
| NÚMERO DE PARTE    | NÚMERO CIL. MTR. RAYBESTOS | NÚMERO REPUESTO LUSAC | MEDIDA          | APLICACIÓN  | FOTO PÁGINA |
| 39876              | MC39876                    | N/D                   | 33.3 mm 1-5/16" | Ford F-450 Super Duty 97-98, F-450 V8 Super Duty XL 99-02   | 513         |
| 39882              | MC39882                    | N/D                   | 23.8 mm 15/16"  | Honda Accord 4 Lts S/ABS 96-97  | 513         |
| 39947              | MC39947                    | N/D                   | 22.2 mm 7/8"    | Mazda 87-93 Mazda B series trucks con 4WD USA   | 513         |
| 39949              | MC39949                    | N/D                   | 22.2 mm 7/8"    | Ford Escort con Trans. Automatica 91-92, Tracer 91-92 USA, Mazda 323 90-94, Mazda MX3 92-95, Mazda Protege 90-94, USA   | 513         |
| 39950              | MC39950                    | N/D                   | 22.2 mm 7/8"    | Ford Escort con Trans. Manual 91-92, Tracer 91-92 USA, Mazda 323 90-94, Mazda MX3 92-95, Mazda Protege 90-94, USA   | 513         |
| 39952              | MC39952                    | N/D                   | 29.0mm/40.0mm   | Chevrolet Caprice 91-92, Estate Wagon 91, Roadmaster 88-92 USA  | 513         |
| LC-39953           | MC39953                    | 9953                  | 25.4 mm 1"      | Ford Explorer XLS V6, XLT V8, Limited 91-94.  | 513         |
| 39954              | MC39954                    | N/D                   | 25.4 mm 1"      | Chevrolet Oldsmobile88 92   | 513         |
| 39955              | MC39955                    | N/D                   | 25.4 mm 1"      | Chevrolet Cadillac Deville/Concours con ABS 94-96, Cadillac Deville con ABS 91-93, Oldsmobile-88 con ABS 92   | 513         |
| 39956              | MC39956                    | N/D                   | 25.4 mm 1"      | Ford Grand Marquis 92-94, Lincoln Town Car 91-94  | 513         |
| 39960              | MC39960                    | N/D                   | 22.2 mm 7/8"    | Chevrolet Geo Tracker 93-95   | 513         |
| 39962              | MC39962                    | N/D                   | 25.4 mm 1"      | Chevrolet Cadillac Deville 94   | 513         |
| 39964              | MC39964                    | N/D                   | 33.3 mm 1-5/16" | Chrysler Dodge B200, B250 88-89, Dodge B300, B350 88-89 USA, GM C30, C35 83-87, GM K30, K35 83-87, GM P30 83-95, GM R30 87-91, GM V30 87-91 USA                                 | 513         |
| 39968              | MC39968                    | N/D                   | 23.8 mm 15/16"  | Honda Civic 4 Puertas EX 90-91 USA  | 513         |
| 39970              | MC39970                    | N/D                   | 25.4 mm 1"      | Honda Accord L4 Con ABS. 96-97 Nacional, Isuzu Oasis 96-97, Acura 2.5 TI 95-96, Acura 3.0 CI 97, Acura Vigor 92-94 USA  | 514         |
| 39973              | MC39973                    | N/D                   | 22.2 mm 7/8"    | Mazda 626 86-87 USA   | 514         |
| 39976              | MC39976                    | N/D                   | 25.4 mm 1"      | Nissan D21 92-95, Nissan Pathfinder 91-95 USA   | 514         |
| 39977              | MC39977                    | N/D                   | 25.4 mm 1"      | Nissan D21 91-92 USA  | 514         |
| 39978              | MC39978                    | N/D                   | 25.4 mm 1"      | Nissan Pathfinder con ABS. 91-95 USA  | 514         |
| 39979              | MC39979                    | N/D                   | 23.8 mm 15/16"  | Nissan Pathfinder 90 USA  | 514         |
| 39980              | MC39980                    | N/D                   | 25.4 mm 1"      | Chrysler Jeep Wrangler 2.5 Lts. sin ABS 93-96.  | 514         |
| 39981              | MC39981                    | N/D                   | 23.8 mm 15/16"  | Chrysler Cherokee sin ABS 94  | 514         |
| 39988              | MC39988                    | N/D                   | 25.4 mm 1"      | Isuzu Amigo 92, Isuzu Pickup 90-92, Isuzu Rodeo 91-92 USA   | 514         |
| 39989              | MC39989                    | N/D                   | 23.8 mm 15/16"  | Isuzu Amigo 92, Isuzu Pickup 90-92 USA  | 514         |
| 39993              | MC39993                    | N/D                   | 22.2 mm 7/8"    | Toyota Pickup, 89-93 USA  | 514         |
| 39996              | MC39996                    | N/D                   | 25.4 mm 1"      | Toyota 4-Runner 94-89, Pickup 95-89, T100 Pickup 94-93 USA  | 514         |
| 40000              | MC36006                    | 31066                 | 25.4 mm 1"      | VAM American, Classic 61, Chevrolet varios 59-66  | 514         |
| 42194              | MC36127                    | 19432                 | 38.1 mm 1-1/2"  | Ford F600, B600 70-76   | 514         |
| 43207              | MC34330                    | 39142                 | 25.4 mm 1"      | Chrysler Dodge Dart, Valiant 60-66  | 514         |
| 56193              | MC36237                    | 59170                 | 25.4 mm 1"      | VAM American 71-73, Classic 70-73, Javelin 70, Gremlin 74-76, Rally 70-73, Jeep DJ-5 70-75, VAM American Classic Javelin 1964-70, Jeep Willys CJ5, 70-75, Wagoneer J-164 70-73. | 514         |
| 57597              | MC36289                    | 59000                 | 31.7 mm 1-1/4"  | Chevrolet C30, 35 70, C40 70-72, C50 73-82.   | 515         |
| 64824              | MC36231                    | 59029                 | 23.8 mm 15/16"  | Ford LTD, Galaxie 67-68   | 515         |
| 64859              | MC36355                    | 59039                 | 28.5 mm 1-1/8"  | Ford Camioneta F-300. F-350 67  | 515         |
| 64885              | MC36239                    | 59067                 | 25.4 mm 1"      | Chevrolet Impala 70, C10 70-71.   | 515         |
| 64986              | MC36233                    | 59070                 | 25.4 mm 1"      | Chevrolet Chevelle 70-72, Opel 70-72, Chevelle Malibu 70-72   | 515         |
| 66857              | MC36246                    | 59091                 | 28.5 mm 1-1/8"  | Chevrolet C-30, C-35 70   | 515         |
| 71245              | MC36277                    | 59048                 | 25.4 mm 1"      | Ford Galaxie 70-72  | 515         |
| 71248              | MC36251                    | 59182                 | 25.4 mm 1"      | Ford Mustang 71-73  | 515         |


**Lusac**

**Raybestos**  
*The best in brakes*
**TABLA DE APLICACIONES POR LÍNEA DE PRODUCTO**

| <b>CILINDROS MAESTROS</b> |                                    |                              |                 |   |                    |
|---------------------------|------------------------------------|------------------------------|-----------------|---|--------------------|
| <b>NÚMERO DE PARTE</b>    | <b>NÚMERO CIL. MTRO. RAYBESTOS</b> | <b>NÚMERO REPUESTO LUSAC</b> | <b>MEDIDA</b>   | <b>APLICACIÓN</b>   | <b>FOTO PÁGINA</b> |
| 71258                     | MC36221                            | 59051                        | 25.4 mm 1"      | Chrysler Coronet 71-74, Dart 70, Monaco 70, Super Bee 70, Valiant Duster 70, D-100 70-71.               | 515                |
| 71259                     | MC36258                            | 59193                        | 28.5 mm 1-1/8"  | Chrysler D-300 71-74  | 515                |
| 71260                     | MC36359                            | 59192                        | 31.7 mm 1-1/4"  | Chrysler Dodge D-300 67-71  | 515                |
| LC-71264                  | MC39468                            | 71506                        | 25.4 mm 1"      | Ford Camionetas F-100 68-72   | 515                |
| 71265                     | MC39469                            | 71507                        | 25.4 mm 1"      | Ford Camioneta F-100 68-75 (4 X 4) USA  | 515                |
| 71268                     | MC36356                            | 71502                        | 28.5 mm 1-1/8"  | Ford Camioneta F-350 70-71 sin Booster  | 515                |
| 71273                     | MC36354                            | 71505                        | 28.5 mm 1-1/8"  | Ford F-350 71-72, P350 72-76  | 515                |
| 71277                     | MC36235                            | 85598                        | 25.4 mm 1"      | VAM Rally 73-75, Jeep Cj-5 76-77, Wagoneer J-164 74-76, Wagoner 77                                      | 515                |
| 73323                     | MC36222                            | 71509                        | 25.4 mm 1"      | Ford Mustang 70   | 516                |
| 73328                     | MC39495                            | 71594                        | 25.4 mm 1"      | Ford Maverick 70-73, Mustang 67-72. Galaxie 68-70, Falcon 67-68 incluye Barra de Empuje                 | 516                |
| 73333                     | MC36386                            | 71612                        | 25.4 mm 1"      | VAM American 70 y 74-76, Classic 74-75, Javelin 70-73, Rally 71-72, Pacer con Booster 76-78             | 516                |
| 73339                     | MC36359                            | 59193                        | 28.5 mm 1-1/8"  | Chrysler Dodge D-300 70, Tambor en las 4 Ruedas   | 516                |
| 73342                     | MC36280                            | 71596                        | 28.5 mm 1-1/8"  | Chevrolet Chevelle 70, C-10 71, Impala 70   | 516                |
| 73343                     | MC36317                            | 71596                        | 28.5 mm 1-1/8"  | Chevrolet Chevy Nova 73-74  | 516                |
| LC-75818                  | MC36307                            | 71664                        | 26.1 mm 1-1/32" | Chrysler Super Bee 71-75. Monaco 71-73. D-100 72-73   | 516                |
| 75819                     | MC36426                            | 71664                        | 26.1 mm 1-1/32" | Chrysler Dart 71-72, Valiant Duster 71-72. (Rin 14 ")   | 516                |
| 76160                     | MC36361                            | 71683                        | 28.5 mm 1-1/8"  | Chevrolet Impala 71-72  | 516                |
| 76164                     | MC36407                            | 71685                        | 28.5 mm 1-1/8"  | VAM Classic 76 con Booster  | 516                |
| 76165                     | MC36456                            | 71686                        | 26.9 mm 1-1/16" | VAM Classic sin Booster 76, Gremlin 74-76, Javelin sin Booster 71-73, Pacer sin Booster 76-78, Rally 76 | 516                |
| 77763                     | MC36492                            | D3TZ-2004                    | 38.1 mm 1-1/2"  | Ford B 600, F 600 74-79   | 516                |
| 78672                     | MC36333                            | 78673                        | 23.8 mm 15/16"  | Ford Galaxie 73   | 516                |
| LC-78676                  | MC39467                            | 98909                        | 25.4 mm 1"      | Ford Crown Victoria 81, Grand Marquis 82, LTD 79-80   | 516                |
| 79772                     | MC36338                            | 79773                        | 23.8 mm 15/16"  | Chrysler Dart 71-73, Valiant Duster 71-73 ( Rin 13")  | 516                |
| 80266                     | MC36406                            | 80267                        | 23.8 mm 15/16"  | Chrysler Dart 73-76, Valiant Duster 73-76 Disco Delantero y Tambor Trasero                              | 516                |
| 80293                     | MC36424                            | 80265                        | 25.4 mm 1"      | Chevrolet Chevelle Guayin 73-75   | 517                |
| LC-80568                  | MC36461                            | 80569                        | 28.5 mm 1-1/8"  | Chrysler Dodge D-300 72-78, M-300 78  | 517                |
| LC-80903                  | MC36397                            | 80904                        | 25.4 mm 1"      | Ford Galaxie 73-74, LTD 75-78   | 517                |
| LC-83575                  | MC36399                            | 88631                        | 25.4 mm 1"      | Ford F-100 73-79  | 517                |
| 83578                     | MC36439                            | 71664                        | 26.1 mm 1-1/32" | Chrysler Dart 73-76, Valiant Duster 73-76. Tambor Delantero y Tambor Trasero                            | 517                |
| 83746                     | MC36446                            | 83747                        | 23.8 mm 15/16"  | Ford Mustang 74   | 517                |
| LC-84050                  | MC39177                            | 84051                        | 25.4 mm 1"      | Chevrolet C-10 74-80 Americana  | 517                |
| LC-85365                  | MC36440                            | 85366                        | 23.8 mm 15/16"  | Ford Maverick 74-77, Mustang 74-78  | 517                |
| 85949                     | MC36468                            | 88715                        | 28.5 mm 1-1/8"  | Ford Continental 75-79, LTD 76-78 USA   | 517                |
| 86130                     | MC36445                            | 86508                        | 23.8 mm 15/16"  | Ford Maverick 74-77, Mustang 75-78 con Booster  | 517                |
| LC-88783                  | MC36460                            | 80582                        | 26.1 mm 1-1/32" | Chrysler Dodge Monaco 74-77, D-100 73-80, D-300 72-78   | 517                |
| 88787                     | MC36412                            | 71664                        | 26.1 mm 1-1/32" | Chrysler Dart 76, Valiant Duster 76, Valiant Volare 77-79   | 517                |
| 88788                     | MC36489                            | 89036                        | 26.1 mm 1-1/32" | Chrysler Dart 76-78, Le Baron 78. Valian Duster 76 , Valiant Volare 77-78. Super Bee 76-79              | 517                |
| LC-90547                  | MC36272                            | 130                          | 17.4 mm 11/16"  | Volkswagen Sedan 66-91  | 517                |
| 93065                     | MC35125                            | 33118                        | 19.0 mm 3/4"    | Volkswagen Camioneta Hormiga 76-78  | 517                |



## TABLA DE APLICACIONES POR LÍNEA DE PRODUCTO

| CILINDROS MAESTROS |                            |                       |                 |  |             |
|--------------------|----------------------------|-----------------------|-----------------|--|-------------|
| NÚMERO DE PARTE    | NÚMERO CIL. MTR. RAYBESTOS | NÚMERO REPUESTO LUSAC | MEDIDA          | APLICACIÓN   | FOTO PÁGINA |
| 96409              | MC39147                    | 196                   | 20.6 mm 13/16"  | Volkswagen Atlantic 81-87, Cilindro Fag, Caribe 78-87, Cilindro Fag y Ate, Caribe Gt 83-86, Cilindro Fag, Corsar 83-84, Cilindro Fag y Ate   | 517         |
| LC-96415           | MC36275                    | 96416                 | 19.0 mm 3/4"    | Volkswagen Sedan 92-04 Sustituye al 96404  | 518         |
| 96431              | MC39377                    | 195                   | 17.4 mm 11/16"  | Volkswagen Caribe 77-79  | 518         |
| 97071              | MC39677                    | 152                   | 23.8 mm 15/16"  | Volkswagen Combi-Panel 88-01   | 518         |
| 97742              | MC39809                    | 98678                 | 26.9 mm 1-1/16" | VAM. Jeep Willys CJ-5 78   | 518         |
| LC-97934           | MC39011                    | 97935                 | 25.4 mm 1"      | Ford F-150 80-86, P-350 77-78  | 518         |
| 97936              | MC39368                    | 99083                 | 26.9 mm 1-1/16" | Ford Camioneta E-200 86 USA  | 518         |
| LC-97938           | MC39116                    | 99083                 | 26.9 mm 1-1/16" | Ford F-350 77-79, P-350 77-78  | 518         |
| LC-98893           | MC39031                    | 97688                 | 23.8 mm 15/16"  | VAM American 77-83, Gremlin 77-83, Pacer 79, Rally 77-83   | 518         |
| LC-98895           | MC39178                    | 101928                | 28.5 mm 1-1/8"  | Chrysler Dodge D-150 81-93, D-250 86-93, D-300 79-80, D-350 Microbus 81-90, W-150 85-87, Ram Van1500 95, Ram Wagon 1500 95, Ram Charger 86-96, W-250 4 X 4 86-88                                 | 518         |
| LC-98896           | MC36463                    | 86626                 | 28.5 mm 1-1/8"  | Chrysler Dodge W-250 4 X 4 86-93   | 518         |
| 98896-A            | MC39712                    | 86626                 | 28.5 mm 1-1/8"  | Chrysler D-350, Microbus 81-93   | 518         |
| 98953              | MC39017                    | 86511                 | 33.3 mm 1-5/16" | Chevrolet C-30, C-35 76-89 Rodada Doble, C-30, C35 82-83 Rodada Sencilla, Panel P30 82-92 y 97-98  | 518         |
| LC-99084           | MC39037                    | 99085                 | 22.2 mm 7/8"    | Ford Fairmont, Fairmont Vagoneta 78-81, Mustang 79-81 con Booster  | 518         |
| LC-99086           | MC39174                    | 99087                 | 22.2 mm 7/8"    | Ford Fairmont, Fairmont Vagoneta 78-83, Mustang 79-81 sin Booster  | 518         |
| LC-99294           | MC39034                    | 99296                 | 26.1 mm 1-1/32" | Chrysler Cordoba 80-82, Dart 79-82, Le Baron 79-82, Magnum 81-82, Valiant Volare 78-81, Super Bee 80   | 518         |
| 100560             | MC36229                    | 59012                 | 38.1 mm 1-1/2"  | Chevrolet C40 70-72, C50 70-82, C60 70-82, C65 79-82   | 518         |
| 100756             | MC39171                    | 100757                | 22.2 mm 7/8"    | Ford Courier 77-80 USA   | 519         |
| 100760             | MC36494                    | 100761                | 19.0 mm 3/4"    | Ford Courier 72-75 USA   | 519         |
| 101252             | MC39166                    | 99101                 | 22.2 mm 7/8"    | Chevrolet Malibu 79, Montecarlo 78-80 USA  | 519         |
| LC-101253          | MC39016                    | 99032                 | 23.8 mm 15/16"  | Chevrolet Chevelle Malibu 79-81, Monte Carlo 81  | 519         |
| LC-101254          | MC36306                    | 97613                 | 28.5 mm 1-1/8"  | Dina 1000 75-76 y 80-81 con Boster Chevrolet Caprice 78-80, Chevelle 71-75, Chevelle Malibu 70-75, Chevy Nova 75-78, Impala 71-75, C10 72-78, VAM con Boster Wagoneer 77-80 Wagoneer J-164 74-76 | 519         |
| 101255             | MC39023                    | 97680                 | 25.4 mm 1"      | VAM Rally 73-75 Jeep CJ-5 78   | 519         |
| LC-101258          | MC39028                    | 97613                 | 28.5 mm 1-1/8"  | Chevrolet C-10 77-80 Americana , Caprice 77-80, Willys Camioneta 77-80   | 519         |
| LC-101266          | MC39075                    | 98059                 | 31.7 mm 1-1/4"  | Dina 3000, 3200 77-83, Chevrolet C30, C35 71-80  | 519         |
| 101268             | MC39077                    | 97613                 | 28.5 mm 1-1/8"  | Chevrolet C-30, C-35 71  | 519         |
| 101269             | MC39076                    | 97612                 | 28.5 mm 1-1/8"  | Dina Camioneta 1000 77-79, Chevrolet Camioneta C,G, K, P-10 y 15 76-80 USA   | 519         |
| 102165             | MC39233                    | 102166                | 22.2 mm 7/8"    | Chevrolet Camioneta Luv 79-80 USA  | 519         |
| 102418             | MC39357                    | 102419                | 25.4 mm 1"      | Ford Camioneta F-100, F-150 80-86 USA (sin Booster)  | 519         |
| 102420             | MC39172                    | 99083                 | 26.9 mm 1-1/16" | Ford Camioneta E, F-250, E, F-350 77-83 USA  | 519         |
| LC-102421          | MC39173                    | 99083                 | 26.9 mm 1-1/16" | Ford F-350 80-83   | 519         |
| 103238             | MC39309                    | 105838                | 34.0 mm         | Chevrolet Microbus 94-00, Panel P30 94-98  | 519         |
| 103254             | MC39461                    | 103255                | 38.1 mm 1-1/2"  | Ford Camión B-600, F-600 80-85   | 519         |
| 104460             | MC39328                    | 104459                | 28.6 & 40 mm    | Chevrolet Caprice 81-82  | 520         |
| LC-104464          | MC39324                    | 104465                | 31.7 mm 1-1/4"  | Chevrolet Camionetas C, K, R 20 Americana, Suburban C-30 81-89 Americana   | 520         |
| LC-104466          | MC39589                    | 104467                | 25.4 & 36.0mm   | Chevrolet C-15 88-91   | 520         |
| 104471             | MC39312                    | 104472                | 21.0 mm 53/64"  | Ford Escort 81-83 (USA)  | 520         |


**Lusac**

**Raybestos**  
*The best in brakes*
**TABLA DE APLICACIONES POR LÍNEA DE PRODUCTO**

| CILINDROS MAESTROS |                             |                       |                 |   |             |
|--------------------|-----------------------------|-----------------------|-----------------|---|-------------|
| NÚMERO DE PARTE    | NÚMERO CIL. MTRO. RAYBESTOS | NÚMERO REPUESTO LUSAC | MEDIDA          | APLICACIÓN  | FOTO PÁGINA |
| 104473             | MC39310                     | 104474                | 21.0 mm 53/64"  | Ford Escort 81-83 con Booster (USA)   | 520         |
| LC-104516          | MC39223                     | 104459                | 28.5 & 40.0 mm  | Chevrolet Blazer Nevada 91 4X4 y 4X2, C15 82-87, C20, C25 79-87, Suburban 87, Dina Camionetas 1000 81-83, 3000, 3200 80-83, VAM Willy Camioneta 79-89, Wagoneer 81-86   | 520         |
| 105799             | MC39570                     | 105803                | 24.0 mm         | Chevrolet Montecarlo 82   | 520         |
| LC-105808          | MC39350                     | 105809                | 21.0 mm         | Ford Fairmont, Fairmont Vagoneta con Booster 82-83  | 520         |
| 105872             | MC39365                     | N/D                   | 25.4 mm 1"      | VAM Jeep CJ-5 79-86   | 520         |
| 105874             | MC39367                     | 105875                | 25.4 mm 1"      | VAM Jeep Willys CJ-5 79-83 sin Booster, Jeep Willys CJ-7 83   | 520         |
| LC-106437          | MC39014                     | 98509                 | 31.7 mm 1-1/4"  | Ford F-350 73-76, P350 76   | 520         |
| 106437-A           | MC36352                     | 71500                 | 31.7 mm 1-1/4"  | Ford F-200, F-250 68-71 USA   | 520         |
| 106437-B           | MC36408                     | 83075                 | 31.7 mm 1-1/4"  | Ford F-200, F-250 73-75 E-250 75 USA  | 520         |
| 107050             | MC39376                     | 107051                | 24.0 mm         | Chevrolet Montecarlo 83-84, Cutlass Supreme 87-88 USA   | 520         |
| 107053             | MC39375                     | 107054                | 22.2 mm 7/8"    | Chevrolet Chevette 83-87 USA  | 520         |
| 107078             | MC39327                     | 104470                | 22.2 mm 7/8"    | Chrysler Dart K 82, Dart K Guayin 82. Volare K 82   | 520         |
| LC-108134          | MC39451                     | 112115                | 21.0 mm         | Chrysler Dart K 83-88, Dart K Guayin 83-88, Dart E 89, Le Baron K 83-87, Magnum K 83-88, New Yorker 85-99. Phantom 87-89, Serie 600 K 84-85, Shadow 89-94, Shadow GTS 90-91, Shadow Turbo 92-94, Volare K 83-88 | 521         |
| LC-108145          | MC39435                     | 113441-A              | 33.3 mm 1-5/16" | Chevrolet Camionetas C30, C35 84-87, Microbus 88-91 y 97-00, Panel P30 82-92 y 97-98  | 521         |
| LC-108151          | MC39443                     | 108657                | 20.0 mm         | Ford Topaz 84-94, Ghia 91-94  | 521         |
| 108161             | MC39448                     | 108162                | 23.8 mm 15/16"  | VAM Jeep Willys CJ-5 84-86, Jeep Willys CJ-7 84   | 521         |
| LC-108168          | MC39476                     | 112246                | 24.0 mm         | Chrysler Imperial 91, Le Baron 92-95, New York 90-94, Phantom 90-94, Spirit Rt 91-95, Voyager 94-95, Grand Voyager 91-95, Town & Country 93-95  | 521         |
| 108700             | MC39440                     | 107056                | 24.0 mm         | Chevrolet Celebrity Vagoneta 85-86  | 521         |
| 110887             | MC39578                     | 113440                | 28.5 mm 1-1/8"  | Chevrolet Camioneta G-10, G-20, P-25 86-90 USA  | 521         |
| 110917             | MC39446                     | 110918                | 26.9 mm 1-1/16" | Ford Camioneta F-250 84-86 USA  | 521         |
| LC-110919          | MC39445                     | 110920                | 28.5 mm 1-1/8"  | Ford F-200 86, F-350 84-86  | 521         |
| 110983             | MC39655                     | 194                   | 20.6 mm 13/16"  | Volkswagen Golf A-2 C, Cl, Gl 87-92, Golf GTI A2 89-90, Jetta A2 87-91 Jetta A3 Cl, Gl, 97-99   | 521         |
| 112311             | MC39531                     | 112312                | 21.0 mm 53/64"  | Ford Cougar 85-86, Grand Marquis 83-84, Mustang 82-84, Thunderbird 85-86  | 521         |
| 112590             | MC39543                     | 112592                | 22.2 mm 7/8"    | Ford Taurus 88-89   | 521         |
| 112591             | MC39542                     | 112592                | 22.2 mm 7/8"    | Ford Taurus Vagoneta 88-89  | 521         |
| 114075             | MC39628                     | 112594                | 23.8 mm 15/16"  | Ford Camioneta Aerostar 87-89 USA   | 521         |
| LC-114079          | MC39636                     | 114085                | 28.5 mm 1-1/8"  | Ford F-200 87-91, F-250 92-93, F-350 84-93, P-350 Microbus 89-93  | 521         |
| 114081             | MC39633                     | 116611                | 23.8 mm 15/16"  | Ford Camioneta Ranger 87-89 USA   | 521         |
| 114190             | MC39583                     | 114191                | 22.2 mm 7/8"    | Chevrolet Cavalier 90-91, Cavalier Z24 91, Century 87-89  | 522         |
| 114192             | MC39585                     | 114196                | 24.0 mm         | Chevrolet Celebrity 87-89, Century 90-91, Cutlass 87-91, Cutlass Eurosport 87-91  | 522         |
| 114195             | MC39584                     | 114196                | 24.0 mm         | Chevrolet Cutlass 92-93 Century 92-93 Cutlass Eurosport 92-93   | 522         |
| 116402             | MC39363                     | 99984                 | 22.2 mm 7/8"    | Chevrolet Celebrity 82, Citation 82   | 522         |
| 116403             | MC39382                     | 99984                 | 22.2 mm 7/8"    | Chevrolet Century 83-86, Celebrity 83-84, Citation 83-85  | 522         |
| 116625             | MC39647                     | 107051                | 24.0 & 36.0 mm  | Chevrolet Camioneta C-10 C-15 88-92 USA   | 522         |
| 116702             | MC39528                     | 108120                | 44.4 mm 1-3/4"  | Chevrolet B600, F600 84-88, C-50 83-88, C-60 83-88, C-65 83-85  | 522         |
| 117583             | MC39637                     | 117584                | 21.0 & 30.2 mm  | Ford Cougar 87-88, Mustang 83-84, Thunderbird 87-88   | 522         |
| 119401             | MC39462                     | 108120                | 44.4 mm 1-3/4"  | Ford Camión F-700 80-82 USA   | 522         |



## TABLA DE APLICACIONES POR LÍNEA DE PRODUCTO

| CILINDROS MAESTROS |                             |                       |                 |   |             |
|--------------------|-----------------------------|-----------------------|-----------------|---|-------------|
| NÚMERO DE PARTE    | NÚMERO CIL. MTRO. RAYBESTOS | NÚMERO REPUESTO LUSAC | MEDIDA          | APLICACIÓN  | FOTO PÁGINA |
| LC-120369          | MC39634                     | 114084                | 26.9 mm 1-1/16" | Ford F-150 S/C/de Velocidad 87-04, F-200 87-91, F-250 92, Econoline Van E 150 95-96, Club Wagon V6 E 150 95-96, Lobo 97-99  | 522         |
| 120590             | MC39767                     | 120591                | 31.7 mm 1-1/4"  | Chevrolet Camioneta C-30,C-35 91-94, Microbus 92-93 y 97-00   | 522         |
| 120794             | MC39773                     | 120795                | 23.8 mm 15/16"  | Ford Thunderbird 89, Taurus Vagoneta 90-91  | 522         |
| 122572             | MC39958                     | 120797                | 25.4 mm 1"      | Ford Cougar 90-92, Cougar S/ABS 93-95, Cougar XR-7 90-94, Sable Vagoneta 94-95, Thunderbird 90-95   | 522         |
| 390004             | MC390004                    | N/D                   | 20.6 mm 13/16"  | Nissan Sentra 92 Nacional Nissan NX 91-92, Sentra 93-94 USA   | 522         |
| 390006             | MC390006                    | 693                   | 19.0 mm 3/4"    | Nissan Tsuru III GS 93-10   | 522         |
| 390007             | MC390007                    | N/D                   | 23.8 mm 15/16"  | Nissan Altima 01, Altima Sedan S, Altima Sedan SL, Altima Sedan SE 02-06 con ABS  | 522         |
| 390018             | MC390018                    | N/D                   | 23.8 mm 15/16"  | Nissan Infiniti G20 94-96 USA   | 523         |
| 390024             | MC390024                    | N/D                   | 25.4 mm 1"      | Ford Grand Marquis 92-94 con ABS, Lincoln Town Car 91-94 con ABS, Sable Vagoneta 94-95 con ABS  | 523         |
| 390029             | MC390029                    | N/D                   | 22.2 mm 7/8"    | Toyota Paseo '92-94 USA   | 523         |
| 390038             | MC390038                    | N/D                   | 25.4 mm 1"      | Nissan 300 Zx 91-96, 300 Zx Convertible 93-95   | 523         |
| 390039             | MC390039                    | N/D                   | 23.8 mm 15/16"  | Mazda MPV Van 89-95 USA   | 523         |
| 390044             | MC390044                    | N/D                   | 23.8 mm 15/16"  | Honda Civic Con ABS 92-95, Honda Del Sol 95-97 USA  | 523         |
| 390049             | MC390049                    | N/D                   | 25.4 mm 1"      | Ford Sable 94-95  | 523         |
| 390056             | MC390056                    | N/D                   | 25.4 mm 1"      | Chevrolet Geo Tracker 98-99 sin ABS   | 523         |
| 390060             | MC390060                    | 90060                 | 20.6 mm 13/16"  | Volkswagen Golf A3 CL, GL, 95-96, Golf A3 GLS 94-96, Golf Cabrio A3 96, Golf GTI A3 93-96, Jetta A2 88-92, Golf GTI A 2 91-92, Jetta A2 GLI 90-92, Jetta GLS A3 94-96 | 523         |
| 390063             | MC390063                    | N/D                   | 29.0mm/40.0mm   | Chevrolet Astro Van 94-90, GMC Safari Van 94-90 USA   | 523         |
| 390071             | MC390071                    | N/D                   | 25.4 mm 1"      | Chrysler Jeep Gran Cherokee con ABS 4X2 93-94, Jeep Wrangler con ABS 93-95  | 523         |
| 390073             | MC390073                    | N/D                   | 23.8 mm 15/16"  | Chevrolet Corvette 92-94  | 523         |
| 390096             | MC390096                    | N/D                   | 26.9 mm 1-1/16" | Chrysler Dodge Viper 93, Ford Aerostar 92-95  | 523         |
| 390110             | MC390110                    | 128405                | 23.8 mm 15/16"  | Chrysler Concorde 93-97, Intrepid 94-97, New Yorker, LHS 94-97 (sin ABS), New Yorker LH (sin ABS) 94-97   | 523         |
| 390111             | MC390111                    | N/D                   | 23.8 mm 15/16"  | Chrysler Concorde 93-97 con ABS, Intrepid 94-97, New Yorker LHS 94-97 (con ABS), New Yorker LH 94-97 (con ABS)  | 523         |
| 390115             | MC390115                    | N/D                   | 25.4 mm 1"      | Nissan Quest XE 97-02 con ABS, Ford Mercury Villager con ABS 99-00 USA.   | 523         |
| 390116             | MC390116                    | N/D                   | 25.4 mm 1"      | Nissan Quest XE 97-98. Sin ABS.   | 524         |
| 390117             | MC390117                    | N/D                   | 28.5 mm 1-1/8"  | Ford P-350 Microbus Nacional 92, E-250 92, E-350 92 USA   | 524         |
| 390118             | MC390118                    | N/D                   | 25.4 mm 1"      | Nissan Pick Up D-21 92-98, King Cab 95-00.  | 524         |
| 390121             | MC390121                    | N/D                   | 23.8 mm 15/16"  | Nissan Maxima sin ABS 91-93, Nissan Stanza sin ABS 90-92 USA  | 524         |
| 390126             | MC390126                    | N/D                   | 26.9 mm 1-1/16" | Ford Cougar 93-95, Lincoln Mark VIII 94-96, Thunderbird 96  | 524         |
| 390139             | MC390139                    | N/D                   | 23.8 mm 15/16"  | Nissan Altima 96-00.  | 524         |
| 390140             | MC390140                    | N/D                   | 23.8 mm 15/16"  | Nissan Altima SE 96-00 sin ABS  | 524         |
| 390141             | MC390141                    | N/D                   | 25.4 mm 1"      | Nissan Altima 96-00 ABS   | 524         |
| 390156             | MC390156                    | N/D                   | 23.8 mm 15/16"  | Mitsubishi Montero Sport; 93-03 Mitsubishi Montero 92-00 Sin ABS USA  | 524         |
| 390161             | MC390161                    | N/D                   | 23.8 mm 15/16"  | Isuzu Amigo 93, Isuzu Pickup 93-95 USA  | 524         |
| 390162             | MC390162                    | N/D                   | 25.4 mm 1"      | Honda Passport 94-97, Isuzu Amigo 93-94, Isuzu Pickup 93-95, Isuzu Rodeo 93-97 USA  | 524         |
| 390170             | MC390170                    | N/D                   | 25.4 mm 1"      | Nissan Infiniti Q-45 94-96  | 524         |
| 390174             | MC390174                    | 114191                | 22.2 mm 7/8"    | Chevrolet Cavalier 92-94, Cavalier Z24 92-94  | 524         |


**Lusac**

**Raybestos**  
*The best in brakes*
**TABLA DE APLICACIONES POR LÍNEA DE PRODUCTO**

| <b>CILINDROS MAESTROS</b> |                                    |                              |                 |   |                    |
|---------------------------|------------------------------------|------------------------------|-----------------|---|--------------------|
| <b>NÚMERO DE PARTE</b>    | <b>NÚMERO CIL. MTRO. RAYBESTOS</b> | <b>NÚMERO REPUESTO LUSAC</b> | <b>MEDIDA</b>   | <b>APLICACIÓN</b>   | <b>FOTO PÁGINA</b> |
| 390175                    | MC390175                           | 114196                       | 24.0 mm         | Chevrolet Buick Regal 94-96   | 524                |
| 390176                    | MC390176                           | N/D                          | 24.0 mm         | Chevrolet Grand Prix GT, GTP, SE 97   | 524                |
| 390178                    | MC390178                           | 114496                       | 24.0 mm         | Chevrolet Lumina Apv 95-96, Silhouette 92-95  | 524                |
| 390179                    | MC390179                           | 1831                         | 24.0 mm         | Chevrolet Century 94-96, Cutlass 94-96, Cutlass Eurosport 94-96   | 525                |
| 390182                    | MC390182                           | 114085                       | 28.5 mm 1-1/8"  | Ford Econoline Van E-250 97, Club Wagon V8 E-250 95-96, Econoline Club Wagon V8 E-350 95-96   | 525                |
| 390183                    | MC390183                           | 114084                       | 26.9 mm 1-1/16" | Ford Econoline Club Wagon V6 E-150 XL 95-96, F-150 94-95 y 97-04, Lobo 97-99. C/C. Vel.   | 525                |
| 390184                    | MC390184                           | 114085                       | 28.5 mm 1-1/8"  | Ford F-250 95, F-350 94, P-350 94-96 C/ Control de Vel Doble Rodada   | 525                |
| 390185                    | MC390185                           | 90185                        | 26.9 mm 1-1/16" | Ford Mustang GT 94-95   | 525                |
| 390186                    | MC390186                           | N/D                          | 25.4 mm 1"      | Chevrolet Bonneville 94-95, Oldsmobile 88 94-95   | 525                |
| 390188                    | MC390188                           | N/D                          | 24.0 mm         | Chrysler Dodge Dakota con frenos de poder 96  | 525                |
| 390190                    | MC390190                           | N/D                          | 31.7 mm 1-1/4"  | Chrysler Dodge Ram 3500 94  | 525                |
| 390204                    | MC390204                           | 90203                        | 21.0 mm 53/64"  | Chrysler Neon 95-96. Disco Tambor sin ABS   | 525                |
| 390205                    | MC390205                           | N/D                          | 21.0 mm 53/64"  | Chrysler Neon 95-96 Freno de Tambor Trasero con ABS   | 525                |
| 390213                    | MC390213                           | 90204                        | 22.2 mm 7/8"    | Chrysler Neon 95-99 Disco / Disco sin ABS   | 525                |
| 390214                    | MC390214                           | N/D                          | 25.4 mm 1"      | Chevrolet Camaro V6 3.4 Lts 95-97, Firebird Trans-Am 94-97.   | 525                |
| 390215                    | MC390215                           | 90215                        | 22.2 mm 7/8"    | Chrysler Dodge Neon D/D con ABS 95-99.  | 525                |
| 390216                    | MC390216 / MC39880                 | N/D                          | 26.9 mm 1-1/16" | Ford Aerostar 91  | 525                |
| 390217                    | MC390217                           | N/D                          | 23.8 mm 15/16"  | Ford Ghia 94, Mustang Cobra 94-95 USA   | 525                |
| 390224                    | MC390224                           | N/D                          | 23.8 mm 15/16"  | Ford Escort GT 94-95, Escort, Escort LX 94-96, Escort Vagoneta 94-96, Transmision Automática  | 525                |
| 390225                    | MC390225                           | N/D                          | 23.8 mm 15/16"  | Ford Escort, Escort LX 94-96, Escort Vagoneta 94-96, Escort GT 94-95 Transmision Estándar   | 526                |
| 390226                    | MC390226                           | N/D                          | 25.4 mm 1"      | Ford Contour 96-97, Mystique 95-96 sin ABS  | 526                |
| 390231                    | MC390231                           | N/D                          | 23.8 mm 15/16"  | Nissan 240 Sx 98 Con ABS  | 526                |
| 390233                    | MC390233                           | N/D                          | 23.8 mm 15/16"  | Nissan Infiniti I 30 98-99. Maxima 95-99. con ABS   | 526                |
| 390234                    | MC390234                           | 90234                        | 23.8 mm 15/16"  | Nissan Maxima Cil Nabco 95-99, Sentra 1.8 Lts XE, Sentra 1.8 Lts GXE 01-06, Sentra 2.0 Lts SE 01, Sentra 2.5 Lts SE-R 02-06 y 08      | 526                |
| 390235                    | MC390235                           | N/D                          | 23.8 mm 15/16"  | Nissan Maxima 95-00 S/ABS Tokico  | 526                |
| 390236                    | MC390236                           | N/D                          | 26.9 mm 1-1/16" | Toyota 4 Runner 94-95, Toyota Pickup 94 USA   | 526                |
| 390239                    | MC390239                           | N/D                          | 23.8 mm 15/16"  | BMW 325i 95-96  | 526                |
| 390244                    | MC390244                           | N/D                          | 13/16" & 1"     | BMW M3 95-99  | 526                |
| 390245                    | MC390245                           | N/D                          | 25.4 mm 1"      | Ford Lincoln Town Car ABS 95-96, Grand Marquis 95   | 526                |
| 390248                    | MC390248                           | N/D                          | 26.9 mm 1-1/16" | Ford Windstar GL, LX 95-97 sin Control de Tracc.  | 526                |
| LC-390251                 | MC390251                           | 90251                        | 22.2 mm 7/8"    | Chrysler Breeze Rin 14" 96, Cirrus 96-00, Sebring R/T 97, Stratus 95-02 sin ABS   | 526                |
| 390253                    | MC390253                           | N/D                          | 44.4 mm 1-3/4"  | Gmc 60 Series 88-97   | 526                |
| 390254                    | MC390254                           | N/D                          | 22.2 mm 7/8"    | Chrysler Cirrus 96-97, Stratus 96-97 (con ABS), Sebring R/T Rin 15" ABS 97  | 526                |
| 390255                    | MC390255                           | N/D                          | 23.8 mm 15/16"  | Chevrolet Corvette 95-96  | 526                |
| 390256                    | MC390256                           | N/D                          | 25.4 mm 1"      | Ford Lincoln Town Car 95-96, Grand Marquis 95-96 sin ABS  | 526                |
| 390257                    | MC390257                           | 39650                        | 31.7 mm 1-1/4"  | Chrysler Ram 1500 4X2, 4X4 97, Ram 2500 y Club Cab Larami 4X2, 4X4 (7,500 Lb) 95-97, Chevrolet C-15 95-99 C-20, C-25 y Cheyenne 95-01 | 527                |
| 390258                    | MC390258                           | N/D                          | 31.7 mm 1-1/4"  | Chrysler Ram 3500 4X2, 4X4 95-97, Ram 4000 95-97  | 527                |



## TABLA DE APLICACIONES POR LÍNEA DE PRODUCTO

| CILINDROS MAESTROS |                             |                       |                 |  |             |
|--------------------|-----------------------------|-----------------------|-----------------|--|-------------|
| NÚMERO DE PARTE    | NÚMERO CIL. MTRO. RAYBESTOS | NÚMERO REPUESTO LUSAC | MEDIDA          | APLICACIÓN   | FOTO PÁGINA |
| 390259             | MC390259                    | 104459                | 28.5 mm 1-1/8"  | Chevrolet Silverado 95-99, C-15 95-99, C-20 C-25 y Cheyenne 95-01, Sonora 00-02, Suburban 95-00, Chrysler Ram Runner V-10 96, Ram 1500 95-96, Ram 2500 y Club Cab 95-96  | 527         |
| 390267             | MC390267                    | N/D                   | 25.4 mm 1"      | Chevrolet Cadillac de Ville 95-99, Cadillac El Dorado 95-97, Cadillac Seville 94-04, Pontiac Bonneville 96-99  | 527         |
| 390268             | MC390268                    | N/D                   | 26.9 mm 1-1/16" | Ford Explorer XLS V6, XLT V8, Limited 95-97 con Control de Velocidad, Ranger Tambor de 10" 96-97   | 527         |
| 390269             | MC390269                    | N/D                   | 26.9 mm 1-1/16" | Ford Explorer XLS V6, XLT V8, Limited 95-97 sin Control de Velocidad, Ranger Tambor de 9" 96-97  | 527         |
| 390271             | MC390271                    | 90271                 | 22.2 mm 7/8"    | Volkswagen Golf A3 CL, GL, 1.8 Lts 93-94, Golf A3 GLS 2.0 Lts 93-94, Golf A3 GTI VR6 95-99, Golf Cabrio A4 2.0 Lts 02, Golf GTI A3 93-96, Jetta A3 CL, GL, 1.8 Lts 93-96 Jetta GLS A3 2.0 Lts 93, Jetta A3 VR6 95-99, Passat VR6 2.8 Lts 96-97 | 527         |
| 390275             | MC390275                    | N/D                   | 23.8 mm 15/16"  | Chrysler Grand Voyager Rin 15" y 16" con ABS sin Control de Tracc. 96, Town & Country Rin 14" 96, Voyager Rin 14" sin Control Tracc. 96-00   | 527         |
| 390276             | MC390276                    | N/D                   | 22.2 mm 7/8"    | Chevrolet Achieva 96-98, Beretta 96, Corsica 96, Grand Am 96-98 Skylark 96-98 USA  | 527         |
| 390277             | MC390277                    | 114191                | 22.2 mm 7/8"    | Chevrolet Cavalier 95-99, Cavalier Z24 95-96, Sunfire 97-99  | 527         |
| 390278             | MC390278                    | N/D                   | 31.7 mm 1-1/4"  | Chevrolet C-30, C-3500, C3500 Heavy Duty 96-02, C-36 01-02 Heavy Duty, Panel P-30 01-03  | 527         |
| 390279             | MC390279                    | 90279                 | 31.7 mm 1-1/4"  | Chevrolet C-30, C-35 95, C35, C3500, C3500 HD 96-00, Panel-30 96-00  | 527         |
| 390285             | MC390285                    | N/D                   | 25.4 mm 1"      | Toyota Tacoma 95-01 USA  | 527         |
| 390289             | MC390289                    | N/D                   | 25.4 mm 1"      | Toyota Tacoma 95-01 USA  | 527         |
| 390291             | MC390291                    | N/D                   | 25.4 mm 1"      | Toyota Avalon 95-96, Toyota Camry 95-01, Toyota Solara 99 Sin ABS USA  | 527         |
| 390296             | MC390296                    | N/D                   | 25.4 mm 1"      | Toyota 4 Runner 94-95 Toyota T100 95-98 USA  | 527         |
| 390298             | MC390298                    | N/D                   | 25.4 mm 1"      | Ford Sable 96  | 528         |
| 390299             | MC390299                    | N/D                   | 25.4 mm 1"      | Ford Lincoln Town Car 97, Grand Marquis 96 ABS   | 528         |
| 390303             | MC390303                    | 90303                 | 25.4 mm 1"      | Chrysler Jeep Cherokee Sport 98-01, Jeep Grand Cherokee con ABS 4X2, 4X4 95-98   | 528         |
| 390308             | MC390308                    | N/D                   | 25.4 mm 1"      | Ford Mustang Gt 4.6 Lts. 96-97   | 528         |
| 390309             | MC390309                    | N/D                   | 25.4 mm 1"      | Ford Mustang Cobra 4.6 Lts. 97   | 528         |
| 390310             | MC390310                    | N/D                   | 25.4 mm 1"      | Chrysler Jeep Wrangler 4.0 Lts 96  | 528         |
| 390313             | MC390313                    | N/D                   | 26.9 mm 1-1/16" | Ford Explorer XLS V6, XLT V8, Limited 95-97 sin Control de Velocidad   | 528         |
| 390314             | MC390314                    | N/D                   | 26.9 mm 1-1/16" | Ford Explorer XLS V6, XLT V8, Limited 95-97 con Control de Velocidad   | 528         |
| 390317             | MC390317                    | 694                   | 20.6 mm 13/16"  | Nissan Sentra 1.6 Lts GST, Sentra GSX 96-00 Sin ABS Tokico   | 528         |
| 390318             | MC390318                    | 90318                 | 22.2 mm 7/8"    | Nissan Sentra 2.0 Lts sin ABS 96-00, Tsuru GSR 2000 2.0 Lts 93-96, Lucino GSE, GSR sin ABS 96-00   | 528         |
| 390319             | MC390319                    | N/D                   | 22.2 mm 7/8"    | Nissan Sentra 1.6 ABS 96-00, Sentra 2.0 Lts ABS 96-00, Lucino GSE, GSR ABS 96-00   | 528         |
| 390320             | MC390320                    | N/D                   | 24.0 & 36.0 mm  | Chevrolet Blazer 96-97, S-10 Pick Up 96-97   | 528         |
| 390321             | MC390321                    | N/D                   | 31.7 mm 1-1/4"  | Chevrolet Astro Mini Van 96-03, Safari Mini Van 96-03 USA  | 528         |
| 390323             | MC390323                    | N/D                   | 22.2 mm 7/8"    | Honda Civic Ex 97-01, Civic SI 99-01. sin ABS  | 528         |
| 390325             | MC390325                    | N/D                   | 50.8 mm 2"      | Gmc 70 Series 88-00  | 528         |
| 390326             | MC390326                    | N/D                   | 23.8 mm 15/16"  | Chevrolet Geo Tracker 98-99 sin ABS 4 Ptas   | 528         |
| 390328             | MC390328                    | N/D                   | 20.6 mm 13/16"  | Honda Civic T. Estandar 97-01, 4 Ptas. sin ABS   | 529         |
| 390329             | MC390329                    | N/D                   | 26.9 mm 1-1/16" | Ford Windstar 96-98 con C/Tracc  | 529         |
| 390331             | MC390331                    | N/D                   | 22.2 mm 7/8"    | Honda Civic 1500, 1600 LX, GX 96-98 USA  | 529         |
| 390335             | MC390335                    | N/D                   | 23.8 mm 15/16"  | Chevrolet Geo Tracker con ABS 98-99  | 529         |


**Lusac**

**Raybestos**  
*The best in brakes*
**TABLA DE APLICACIONES POR LÍNEA DE PRODUCTO**

| CILINDROS MAESTROS |                             |                       |                 |  |             |
|--------------------|-----------------------------|-----------------------|-----------------|--|-------------|
| NÚMERO DE PARTE    | NÚMERO CIL. MTRO. RAYBESTOS | NÚMERO REPUESTO LUSAC | MEDIDA          | APLICACIÓN   | FOTO PÁGINA |
| 390336             | MC390336                    | N/D                   | 31.7 mm 1-1/4"  | Ford Expedition XLT. Eddie Bauer 97-01, F-150 V6 00-04, F-250 01-02, F-250 Super Duty D/D 01-02, F-350 95-96. F-250 Lobo 00-04. sin/ C. Vel. Lincoln Navigator 98-02 D/D sin C.de Vel.   | 529         |
| 390337             | MC390337                    | 90337                 | 31.7 mm 1-1/4"  | Ford Lincoln Navigator D/D 98-02, Expedition XLT, Eddie Bauer 97-06, F150 00-04, F-250 97-02, F-250 Super Duty 98-02, F-350 95-98, F-350 XL V8 Triton Rodada Doble 99-03, F-350 Super Duty 99-07, F-250 Lobo 00-04, con C/ de Vel. P-350 97. | 529         |
| 390338             | MC390338                    | N/D                   | 31.7 mm 1-1/4"  | Ford F-250 01-02, F-250 Super Duty 01-02, Disco Tambor con C/Vel.  | 529         |
| 390339             | MC390339                    | N/D                   | 31.7 mm 1-1/4"  | Ford F-250 97-02, F-350 97-98 Rodada Sencilla, Lobo 1500 00, P-350 97. Disco Tambor sin C/Vel.   | 529         |
| 390342             | MC390342                    | N/D                   | 25.4 mm 1"      | Nissan Pathfinder XE 4X4 97-01   | 529         |
| 390343             | MC390343                    | N/D                   | 25.4 mm 1"      | Nissan Pick Up D-21 99-01  | 529         |
| 390344             | MC390344                    | N/D                   | 25.4 mm 1"      | Nissan Pick-Up D 21 4WD STD 96-97  | 529         |
| 390347             | MC390347                    | N/D                   | 25.4 mm 1"      | Nissan Pathfinder XE 2X4 97-01, Pick Up Doble Cabina 97-00   | 529         |
| 390351             | MC390351                    | N/D                   | 22.2 mm 7/8"    | Toyota RAV4 96-02 Sin ABS USA  | 529         |
| 390362             | MC390362                    | N/D                   | 25.4 mm 1"      | Chevrolet Oldsmobile Intrigue w/Active Brake Control. (JL4) 00-02 USA  | 529         |
| 390363             | MC390363                    | N/D                   | 28.5 mm 1-1/8"  | Chevrolet G-15 Express 1500, Express Cargo Van 1500 98-02, Express 2500, Express Cargo Van 2500 99-02, G-15 98-02  | 529         |
| 390364             | MC390364                    | N/D                   | 31.7 mm 1-1/4"  | Chevrolet G-30 Express 3500 y Express Cargo Van 3500 97-02, G-30 97-02   | 529         |
| 390367             | MC390367                    | N/D                   | 25.4 mm 1"      | Toyota 4 Runner Con ABS 96-01 USA  | 530         |
| 390368             | MC390368                    | N/D                   | 25.4 mm 1"      | Toyota 4 Runner Sin ABS 96-01 USA  | 530         |
| 390370             | MC390370                    | N/D                   | 25.4 mm 1"      | Ford Sable 97-04, Sable Vagoneta 96-97   | 530         |
| 390371             | MC390371                    | N/D                   | 25.4 mm 1"      | Chevrolet Venture APV 97-99, C/ABS   | 530         |
| 390377             | MC390377                    | N/D                   | 23.8 mm 15/16"  | Chrysler Grand Voyager Rin 15" y 16" 97-00, Town & Country Rin 14" con Control de Tracc. 96-00, Voyager con Control Tracc. 97-00. Ram 4000 05-06   | 530         |
| 390378             | MC390378                    | N/D                   | 25.4 mm 1"      | Chrysler Jeep Wrangler, Jeep Wrangler Sahara 97-02, Jeep Wrangler Unlimited, Jeep Wrangler Rubicon 03-06   | 530         |
| 390386             | MC390386                    | 90386                 | 25.4 mm 1"      | Chevrolet Malibu LX, 97-01 y 05, Malibu LS 97-01 y 05, Grand Am ABS 99-00  | 530         |
| 390389             | MC390389                    | N/D                   | 31.7 mm 1-1/4"  | Ford Econoline Van E 250 ABS 98-99, Econoline Van E-350 98-99, Club Wagon V8 E-250 Chateau 95-96 y 98-00, Econoline Wagon V8 E 250 Chateau 99-00   | 530         |
| 390391             | MC390391                    | N/D                   | 31.7 mm 1-1/4"  | Ford E-250 y E-350 sin control de cruceo 97 USA  | 530         |
| 390392             | MC390392                    | N/D                   | 28.5 mm 1-1/8"  | Ford Econoline Van E 150 97-98 y 01, Econooline Wagon 01, Club Wagon E-150 V6 sin Control de Velocidad 97-01, Econoline Wagon V6 E-150 97-98 y 01 sin Control de Velocidad   | 530         |
| 390393             | MC390393                    | N/D                   | 28.5 mm 1-1/8"  | Ford Econoline Van E-150 97-01, Econoline E-150 Wagon 99-01, con Control de Velocidad, Econoline Club Wagon V6 E-150 97-01   | 530         |
| 390394             | MC390394                    | N/D                   | 31.7 mm 1-1/4"  | Ford Econoline Van E-150 99-00, Econoline Wagon E-150 99-00, Econoline Van E-250 98-99, Econoline E-350 98, Club Wagon V8 E 250 Chateau 95-96, Club Wagon V8 E-350 95-96, Club Wagon V8 E-350 Chateau 95-96 y 98-00, con C/ de Traccion      | 530         |
| 390395             | MC390395                    | N/D                   | 25.4 mm 1"      | Ford Windstar GL, LX 98 sin Control de Tracción  | 530         |
| 390398             | MC390398                    | 90398                 | 26.9 mm 1-1/16" | Ford Lincoln Aviator 03-05, Explorer XLS V6, XLT V8, Limited 98-08, Ranger 01-06, Mercury Mountaineer 05 con C/ de Velocidad   | 530         |
| 390399             | MC390399                    | N/D                   | 26.9 mm 1-1/16" | Ford Explorer XLS V6, XLT V8, Limited 98-05, Explorer Sport 01-03, Ranger 98-00 y 02-05, con S/ de Velocidad   | 530         |
| 390400             | MC390400                    | N/D                   | 26.9 mm 1-1/16" | Ford Explorer XLS V6, XLT V8, Limited 98-02, Explorer Sport 01-03, Ranger 98-00 con C/ de Velocidad  | 530         |



## TABLA DE APLICACIONES POR LÍNEA DE PRODUCTO

| CILINDROS MAESTROS |                             |                       |                 |  |             |
|--------------------|-----------------------------|-----------------------|-----------------|--|-------------|
| NÚMERO DE PARTE    | NÚMERO CIL. MTRO. RAYBESTOS | NÚMERO REPUESTO LUSAC | MEDIDA          | APLICACIÓN   | FOTO PÁGINA |
| 390401             | MC390401                    | N/D                   | 25.4 mm 1"      | Chevrolet Grand Prix GT, GTP, SE 98-01, Impala 00-04, Venture APV 00-04  | 531         |
| 390406             | MC390406                    | N/D                   | 23.8 mm 15/16"  | Honda Civic Ex. C/ABS 97-98  | 531         |
| 390408             | MC390408                    | N/D                   | 26.9 mm 1-1/16" | Chrysler Dodge Durango 98  | 531         |
| 390417             | MC390417                    | N/D                   | 23.8 mm 15/16"  | Honda Accord Sedan 4 Cil. 98-02. Accord Sedan 6 Cil. 98-00. S/ABS  | 531         |
| 390418             | MC390418                    | N/D                   | 25.4 mm 1"      | Honda Accord Sedan 4 Cil. 98-02. Accord Sedan 6 Cil. 98-02. C/ABS  | 531         |
| 390419             | MC390419                    | N/D                   | 25.4 mm 1"      | Chevrolet Cadillac Catera 97-01.   | 531         |
| 390425             | MC390425                    | N/D                   | 22.2 mm 7/8"    | Chrysler Cirrus 98-00. Stratus 98-02   | 531         |
| LC-390426          | MC390426                    | 90426                 | 31.7 mm 1-1/4"  | Chrysler Ram Charger 99-01, Ram Runner V-10 97, Ram 1500 97-01, Ram 2500 y Club Cab Larami 97-01, Ram 3500 98-02. Ram 4000 98-01   | 531         |
| 390427             | MC390427                    | N/D                   | 25.4 mm 1"      | Chevrolet Blazer 98-01, S-10 Pick Up 98-99   | 531         |
| 390430             | MC390430                    | N/D                   | 25.4 mm 1"      | Ford Lincoln Town Car 97, Gran Marquis 97. con ABS   | 531         |
| 390432             | MC390432                    | N/D                   | 22.2 mm 7/8"    | Volkswagen Golf A3 GTI 95-99, Golf A3 GTI VR6 95-99, Jetta A3 VR6 95-99, Passat VR6 96-97, Passat Vagoneta VR6 96-97 con ABS   | 531         |
| 390433             | MC390433                    | N/D                   | 25.4 mm 1"      | Volkswagen Cabrio A4, 95-02, Volkswagen Golf A3 95-99, Volkswagen Jetta A3 96-99 Volkswagen Passat 96-97 Con ABS   | 531         |
| 390440             | MC390440                    | N/D                   | 23.8 mm 15/16"  | Chrysler Concorde con ABS 01-02., Intrepid 98-01, 300 M 99-04  | 531         |
| 390441             | MC390441                    | N/D                   | 25.4 mm 1"      | Nissan Frontier L-4 01-02. Frontier V-6 01-02.   | 531         |
| 390445             | MC390445                    | N/D                   | 25.4 mm 1"      | Ford Grand Marquis 97-00 Lincoln Town Car 98-00 ABS sin C/ de Traccion   | 531         |
| 390447             | MC390447                    | N/D                   | 23.8 mm 15/16"  | Ford Escort, Escort LX Trans. Aut. D/D sin ABS 97-01, Escort Vagoneta 97-99  | 531         |
| 390448             | MC390448                    | N/D                   | 23.8 mm 15/16"  | Ford Escort, Escort LX 97-01, Escort Vagoneta 97-99, Transmision Automatica ABS.   | 532         |
| 390449             | MC390449                    | N/D                   | 23.8 mm 15/16"  | Ford Escort, Escort LX 97-01 Trans. Man. D/D S/ABS   | 532         |
| 390450             | MC390450                    | N/D                   | 23.8 mm 15/16"  | Ford Escort 97-01. Trans. Man. ABS   | 532         |
| 390451             | MC390451                    | N/D                   | 25.4 mm 1"      | Nissan Altima 98-00 ABS Tokico   | 532         |
| 390455             | MC390455                    | N/D                   | 25.4 mm 1"      | Chevrolet Camaro Z-28 98-02, Firebird 98-01  | 532         |
| 390463             | MC390463                    | 90463                 | 25.4 mm 1"      | Ford Mystique 96-00, Contour 96-00 S/ABS   | 532         |
| 390465             | MC390465                    | N/D                   | 44.4 mm 1-3/4"  | Mercedes Benz E280 07-08, E320 96-05   | 532         |
| 390479             | MC390479                    | N/D                   | 23.8 mm 15/16"  | BMW Serie 3 328 I 97-00. Serie 3 Z3 96-02.   | 532         |
| 390480             | MC390480                    | N/D                   | 13/16" & 3/4"   | BMW Serie 5 528i 97, 540 I 97. Serie 7 750 IL 95-97.   | 532         |
| 390488             | MC390488                    | N/D                   | 23.8 mm 15/16"  | Mercedes Benz C230 97-99, C230 K 96-00, C280 95-00, C280 Vagoneta 98-99  | 532         |
| 390491             | MC390491                    | N/D                   | 3/4" & 1"       | Mercedes Benz E280 07-08, SL320 95-97, SL500 95-97   | 532         |
| 390500             | MC390500                    | N/D                   | 23.8 mm 15/16"  | Volkswagen Beetle 2.0 lts 98-05, Beetle Turbo 1.8 lts 00-05, Beetle Cabriolet Turbo 1.8 lts 03-05, Golf GTI A4 2.0 lts S/ABS 00-05, Golf A4 2.0 lts S/ABS 00-06, Jeta 2.0 lts A4 00-05         | 532         |
| 390508             | MC390508                    | N/D                   | 23.8 mm 15/16"  | Chrysler Dodge Durango 99-04, Viper 04 10  | 532         |
| 390514             | MC390514                    | N/D                   | 23.8 mm 15/16"  | Ford Escort, Escort LX 97-01 Transmision Std. D/T S/ABS  | 532         |
| 390515             | MC390515                    | N/D                   | 23.8 mm 15/16"  | Ford Escort, Escort LX 97-01, Escort Vagoneta 97-99 Transmision Aut. D/T S/ABS   | 532         |
| 390516             | MC390516                    | 90516                 | 31.7 mm 1-1/4"  | Chrysler Ram Van y Ram Wagon 1500 96-03, Ram Van y Ram Wagon 2500, 96-02, Ram Van y Ram Wagon 3500 98-02, Gran Voyager sin Control de Tracc. 97-00. Town & Country sin Control de Tracc. 97-00 | 532         |
| 390521             | MC390521                    | N/D                   | 25.4 mm 1"      | Nissan Infiniti Q-45 97-01. (Cil. Nabco)   | 533         |
| N 390525           | MC390525                    | N/D                   | 25.4 mm 1"      | Ford Mustang, GT V6 99-04 Sin Control de Tracc   | 533         |



**Lusac**



**Raybestos**  
The best in brakes

CILINDROS MAESTROS

## TABLA DE APLICACIONES POR LÍNEA DE PRODUCTO

| CILINDROS MAESTROS |                             |                       |                 |   |             |
|--------------------|-----------------------------|-----------------------|-----------------|---|-------------|
| NÚMERO DE PARTE    | NÚMERO CIL. MTRO. RAYBESTOS | NÚMERO REPUESTO LUSAC | MEDIDA          | APLICACIÓN  | FOTO PÁGINA |
| 390526             | MC390526                    | N/D                   | 33.3 mm 1-5/16" | Ford Econoline Van E-150 06-07, Econoline Van E-350 99 y 06-07, Econoline Van E-350 Diesel 06-07, Club Wagon V6 E-150 04-06, Club Wagon V8 E-250 99-04, Econoline Wagon Diesel 01 y 03 Club Wagon V8 E-350 XL 99-06, sin C/ de Velocidad, Escape 05-06. | 533         |
| 390527             | MC390527                    | N/D                   | 26.9 mm 1-1/16" | Ford Mustang GT V8 98-04. sin ABS   | 533         |
| 390528             | MC390528                    | N/D                   | 26.9 mm 1-1/16" | Ford Mustang, GT, 99-04 Con control de tracción   | 533         |
| 390530             | MC390530                    | N/D                   | 34.9 mm 1-3/8"  | Ford Excursion 01-05, F-250 99-06, F-350 Super Duty 03-06, F-450 V-10 99-06, F-450 V8 Diesel Super Duty 05-06, F-550 V-10 01-06, F-550 V8 Diesel 05-06. con Control de Vel.   | 533         |
| 390531             | MC390531                    | 90531                 | 34.9 mm 1-3/8"  | Ford F-250 99-06, F-350 99-07, F-350 Super Duty 99-07, F-450 V10 99-06, F-450 V8 Diesel 05-06, F-550 V10 Super Duty 01-06, F550 V8 Diesel Super Duty 05-06 sin C/ de Velocidad  | 533         |
| 390534             | MC390534                    | N/D                   | 25.4 mm 1"      | Chrysler Town and Country 97-00, Voyager 97-00 Grand Voyager 98-00 Sin control de Tracción Nacional, Chrysler Dodge Caravan 98-00 USA   | 533         |
| 390536             | MC390536                    | N/D                   | 26.9 mm 1-1/16" | Ford Econoline Van E-350 99, Club Wagon V8 E-250 97-04, Econoline Wagon Diesel 01 y 03. Club Wagon V8 E-350 XL 97-04 con Cont. de Vel.  | 533         |
| 390541             | MC390541                    | N/D                   | 34.9 mm 1-3/8"  | Chevrolet Cadillac Escalade 02-03. Avalanche 02. Silverado 1500 00-01 y 03-06. Silverado 2500 00-01 y 03-06.  | 533         |
| 390542             | MC390542                    | N/D                   | 37.0 mm         | Chevrolet Cadillac Escalade 2X4 5.3 Lts 02-03, Avalanche 02, Silverado 1500 00-01 y 03-06, Silverado 2500 00-01 y 03-06, Silverado 3500 96-00, Silverado 3500 Chevy Duty 96-02, Sonora 01-02, Suburban 01-03,   | 533         |
| 390550             | MC390550                    | N/D                   | 23.8 mm 15/16"  | Honda Civic EX, SI C/ABS 99-01  | 533         |
| 390552             | MC390552                    | N/D                   | 25.4 mm 1"      | Chevrolet Cadillac De Ville 00-04 Sin ABS   | 533         |
| 390553             | MC390553                    | N/D                   | 25.4 mm 1"      | Ford Contour con ABS y Control de Traccion. 97-00   | 533         |
| 390555             | MC390555                    | N/D                   | 25.4 mm 1"      | Ford Lincoln LS 00-05, Thunderbird 03-04, Jaguar S Type V6 01-05, Jaguar S Type V8 00-04  | 533         |
| 390564             | MC390564                    | N/D                   | 25.4 mm 1"      | Honda Accord V6 S/ABS 01-02   | 533         |
| 390565             | MC390565                    | N/D                   | 50.8 mm 2"      | Gmc 50 Series 98-00, Gmc 60 Series 98-00  | 534         |
| 390569             | MC390569                    | N/D                   | 25.4 mm 1"      | Ford Lincoln Town Car 98-00, Grand Marquis 98-00, con Cont. de Trac.  | 534         |
| 390570             | MC390570                    | N/D                   | 26.9 mm 1-1/16" | Ford Windstar LX, SE, SEL y Limited. 99-00. D/T S/Cont. Trac.   | 534         |
| 390571             | MC390571                    | N/D                   | 25.4 mm 1"      | Chevrolet Blazer 00-01, S-10 Pick Up 00-04  | 534         |
| 390573             | MC390573                    | N/D                   | 26.9 mm 1-1/16" | Ford Windstar 99-01 Con control de tracción   | 534         |
| 390577             | MC390577                    | N/D                   | 23.8 mm 15/16"  | Chrysler PT Cruiser 01-05. PT Cruiser Turbo Convertible 03-05. Dodge Neon D/D C/ABS 00-05, Neon SRT-4 04-05,  | 534         |
| 390579             | MC390579                    | N/D                   | 22.2 mm 7/8"    | Chrysler Dodge Neon 00-05 Disco Tambor Sin ABS  | 534         |
| 390580             | MC390580                    | N/D                   | 33.3 mm 1-5/16" | Ford E-350 99 USA   | 534         |
| 390581             | MC390581                    | N/D                   | 25.4 mm 1"      | Ford Windstar LX, SE, SEL y Limited D/D con ABS y control de tracción 99-03   | 534         |
| 390582             | MC390582                    | N/D                   | 25.4 mm 1"      | Ford Windstar LX, SE, SEL y Limited 99-03. S/Cont. Trac.  | 534         |
| 390584             | MC390584                    | N/D                   | 25.4 mm 1"      | Ford Mercury Villager sin ABS 99-00, USA, Nissan Quest sin ABS 99-02 Nacional.  | 534         |
| 390590             | MC390590                    | N/D                   | 50.8 mm 2"      | Ford Excursion 01-04. Sin C. de Vel.  | 534         |
| 390593             | MC390593                    | N/D                   | 13/16" & 15/16" | Volvo C70 99-01, S70 99-00, V70 99-04 Sin Control de Tracc.   | 534         |
| 390594             | MC390594                    | N/D                   | 13/16" & 15/16" | Volvo C-70 99-01, S-70 99-00. C-70 Vagoneta 99-04, V 70 99-04 Con Control de Tracc.   | 534         |
| 390608             | MC390608                    | N/D                   | 25.4 mm 1"      | Ford Sable 00-04  | 534         |
| 390613             | MC390613                    | N/D                   | 25.4 mm 1"      | Audi A4 01, Audi S4 00-01, Audi A6 98-01, A6 Quattro 98-01, Audi A8 97-01. Audi A8 Quattro 98-05, Audi S8 01-02. Volkswagen Passat 00-01  | 534         |
| 390615             | MC390615                    | N/D                   | 25.4 mm 1"      | Nissan Quest XE 01-02. Con ABS.   | 535         |



## TABLA DE APLICACIONES POR LÍNEA DE PRODUCTO

| CILINDROS MAESTROS |                             |                       |                 |   |             |
|--------------------|-----------------------------|-----------------------|-----------------|---|-------------|
| NÚMERO DE PARTE    | NÚMERO CIL. MTRO. RAYBESTOS | NÚMERO REPUESTO LUSAC | MEDIDA          | APLICACIÓN  | FOTO PÁGINA |
| 390618             | MC390618                    | N/D                   | 3/4" & 1"       | Mercedes Benz E320 96-05, E430 99-02  | 535         |
| 390624             | MC390624                    | N/D                   | 3/4" & 15/16"   | Mercedes Benz CLK320 98-03, CLK350, CLK350 Convertible 06-08  | 535         |
| 390632             | MC390632                    | N/D                   | 13/16" & 1"     | BMW Serie 4 525i 01. Serie 5 528i 96-00. Serie 5 530i 01-03. Serie 5 540i 01-03. Serie 7 740i 98. Serie 7 750 IL 98.  | 535         |
| 390633             | MC390633                    | N/D                   | 13/16" & 1"     | BMW Serie 4 525i 02-03. Serie 5 528i 96-00. Serie 5 530i 01-03. Serie 5 540i 01-03. Serie 5 M5 99-03. Serie 7 740i 00-01. Serie 7 740iL 99-00. Serie 7 750 IL 99-01.                          | 535         |
| 390636             | MC390636                    | N/D                   | 23.8 mm 15/16"  | Porsche 911 Carrera 98-06, Boxer 97-06  | 535         |
| 390637             | MC390637                    | N/D                   | 25.4 mm 1"      | Audi A8 Sin Control De Tracción 97-01, A8 Quattro Sin Control De Tracción 97-05, Allroad 01-04, Audi S8 01-02.  | 535         |
| 390638             | MC390638                    | N/D                   | 23.8 mm 15/16"  | Chrysler PT Cruiser 01-05. Dodge Neon 00-05. Neon SRT -4 04-05.   | 535         |
| 390639             | MC390639                    | 90234                 | 23.8 mm 15/16"  | Nissan Infiniti I-30 00-01. Infiniti I-35 (No Sport) 02-04. Maxima 01-03.   | 535         |
| 390643             | MC390643                    | N/D                   | 23.8 mm 15/16"  | Ford Focus 00-08 Sin Control de Tracción.   | 535         |
| 390645             | MC390645                    | N/D                   | 25.4 mm 1"      | Chevrolet Impala S/ABS 00-04  | 535         |
| 390646             | MC390646                    | 114191                | 22.2 mm 7/8"    | Chevrolet Cavalier 2.2 Lts 00-04, Sunfire 00-02 y 04-05   | 535         |
| 390654             | MC390654                    | N/D                   | 25.4 mm 1"      | Mitsubishi Montero Sport XLS 03-04. Con ABS   | 535         |
| 390655             | MC390655                    | N/D                   | 25.4 mm 1"      | Mitsubishi Montero Sport XLS S/ABS 03-04  | 535         |
| 390661             | MC390661                    | N/D                   | 26.9 mm 1-1/16" | Chrysler Stratus 03-06. Sin ABS, Mitsubishi Eclipse 03-05. Galant 03.   | 535         |
| 390663             | MC390663                    | N/D                   | 23.8 mm 15/16"  | Audi TT; 00-02, Volkswagen Golf A4 99-01 Con programa de estabilidad electrónica  | 535         |
| 390676             | MC390676                    | N/D                   | 23.8 mm 15/16"  | Chevrolet Grand Am 01-05, Malibu LS V6 3.1 Lts. 02-04   | 536         |
| 390678             | MC390678                    | 903310                | 23.8 mm 15/16"  | Ford Focus LX, SE, ZTS, Wagon 00-06, Focus ZX3 00-04, Focus STV 02, con C/ de Tracción  | 536         |
| 390690             | MC390690                    | N/D                   | 25.4 mm 1"      | Ford Escape 4X2 01-04   | 536         |
| 390691             | MC390691                    | N/D                   | 25.4 mm 1"      | Ford Escape 4X4 01-04   | 536         |
| 390693             | MC390693                    | N/D                   | 25.4 mm 1"      | Ford Lincoln Town Car 01-07, Grand Marquis 01-04. Sin Control/ de Tracc.  | 536         |
| 390695             | MC390695                    | N/D                   | 26.9 mm 1-1/16" | Ford F150 sin control de tracción D/T 00-03   | 536         |
| 390696             | MC390696                    | N/D                   | 26.9 mm 1-1/16" | Ford Ranger 01. Sin Ctrl./ Vel.   | 536         |
| 390697             | MC390697                    | N/D                   | 25.4 mm 1"      | Chevrolet Trail Blazer LS, LT, 4X2 02-06. Trail Blazer Ext 4X2. 04-05   | 536         |
| 390698             | MC390698                    | N/D                   | 20.6 mm 13/16"  | Mercedes Benz Cl500 01-05, Cl600 99-05, Mercedes Benz Cl55 03-06  | 536         |
| 390700             | N/D                         | N/D                   | 20.6 mm 13/16"  | Peugeot 206 XR 01-07, Disco Tambor 4 Cil. 1.4L, Peugeot 206 XT 03-05 Disco Tambor 4 Cil. 1.6L   | 536         |
| 390702             | MC390702                    | N/D                   | 25.4 mm 1"      | Ford Lincoln Town Car 01-07, Grand Marquis 01-04. con C/ de Tracción  | 536         |
| 390703             | MC390703                    | N/D                   | 3/4" & 15/16"   | Mercedes Benz C43 98-00 Con programa de estabilidad electronica   | 536         |
| 390708             | MC390708                    | N/D                   | 23.8 mm 15/16"  | Chrysler Dodge Grand Voyager D/T Sin control de tracc 01-02, Voyager 01-08, Town & Country 01-07 sin C/ de Tracc, Ram-2500, Ram-2500 Quad Cab 03-06, Ram-2500 ST, Ram-2500 Quad Cab SLT 07-08 | 536         |
| 390709             | MC390709                    | N/D                   | 26.9 mm 1-1/16" | Chrysler Town and Country Van 01-02, Voyager; 01-02, Grand Voyager 01-02 Nacional, Chrysler Dodge Caravan 01-02 USA   | 536         |
| 390710             | MC390710                    | N/D                   | 26.9 mm 1-1/16" | Chrysler Town & Country Con Control de Tracc 01-05, Grand Voyager 01-02 D/D Con control de tracc  | 536         |
| 390711             | MC390711                    | 90711                 | 26.9 mm 1-1/16" | Chrysler Jeep Liberty 02-06.  | 536         |
| 390712             | MC390712                    | N/D                   | 26.9 mm 1-1/16" | Jeep Liberty 02-05 Left Hand Driver   | 537         |
| 390719             | MC390719                    | N/D                   | 23.8 mm 15/16"  | Chrysler: 300M 01-04, Concorde 01-02, Intrepid 01   | 537         |
| 390721             | MC390721                    | N/D                   | 23.8 mm 15/16"  | Honda: CR-V EX, EX-L 02-04 Nacional Acura RSX 02-06 USA   | 537         |
| 390722             | MC390722                    | N/D                   | 22.2 mm 7/8"    | Honda Civic 02-05.  | 537         |



**Lusac**



**Raybestos**  
The best in brakes

CILINDROS MAESTROS

## TABLA DE APLICACIONES POR LÍNEA DE PRODUCTO

| CILINDROS MAESTROS |                             |                       |                 |  |             |
|--------------------|-----------------------------|-----------------------|-----------------|--|-------------|
| NÚMERO DE PARTE    | NÚMERO CIL. MTRO. RAYBESTOS | NÚMERO REPUESTO LUSAC | MEDIDA          | APLICACIÓN   | FOTO PÁGINA |
| 390724             | MC390724                    | N/D                   | 22.2 mm 7/8"    | Chrysler Dodge Verna 04-06 Sin ABS   | 537         |
| 390730             | MC390730                    | N/D                   | 23.8 mm 15/16"  | Honda CR-V LX 02-04  | 537         |
| 390732             | MC390732                    | N/D                   | 33.3 mm 1-5/16" | Chrysler Dodge Ram 2500 y Quad Cab 01-02, Ram 3500 00-02, Ram 4000 02  | 537         |
| N 390739           | MC390739                    | N/D                   | 25.4 mm 1"      | Chevrolet Equinox 05-06, Pontiac Torrent 06, Nacional Saturn Truck:VUE 03-05 USA   | 537         |
| 390740             | MC390740                    | N/D                   | 31. mm 1-1/4"   | Ford Expedition Sin control de tracción 02   | 537         |
| 390741             | MC390741                    | N/D                   | 28.5 mm 1-1/8"  | Ford Econoline E-150 Con Control De Traccion 02-03, Econoline Wagon E-150 8 Pasajeros Con Control De Traccion 02-03  | 537         |
| 390742             | MC390742                    | N/D                   | 33.3 mm 1-5/16" | Chrysler Dodge Ram 1500 02-06 Con ABS a las 4 ruedas   | 537         |
| N 390745           | MC390745                    | N/D                   | 25.4 mm 1"      | Chrysler:300M 02-04, Concorde 02 Nacional, Intrepid 02-04 USA  | 537         |
| 390746             | MC390746                    | 90746                 | 20.6 mm 13/16"  | Honda Civic LX, EX sin ABS 02-06   | 537         |
| 390747             | MC390747                    | N/D                   | 23.8 mm 15/16"  | Nissan Sentra 1.8 Lts 01-06, Sentra 2.0 Lts 01, Sentra 2.5 Lts 02-06 y 08, con ABS   | 537         |
| N 390748           | MC390748                    | N/D                   | 23.8 mm 15/16"  | Nissan: Sentra 2.5 Lts 02-06 Con ABS   | 537         |
| N 390749           | MC390749                    | N/D                   | 23.8 mm 15/16"  | Nissan: Sentra 2.5 Lts 02-04 Sin ABS   | 537         |
| N 390753           | MC390753                    | N/D                   | 22.2 mm 7/8"    | Toyota Camry 02-04 Con Control de estabilidad Nacional, Lexus ES300 02-03 USA Con control de Estabilidad   | 538         |
| N 390754           | MC390754                    | N/D                   | 22.2 mm 7/8"    | Toyota:Camry Sin ABS 02-06, Solara 05-06 Sin control de Estabilidad  | 538         |
| 390759             | MC390759                    | N/D                   | 22.2 mm 7/8"    | Mitsubishi Lancer LS, ES 04-06.Automatic Transaxle sin ABS   | 538         |
| 390760             | MC390760                    | N/D                   | 22.2 mm 7/8"    | Mitsubishi Lancer LS, Diamond, ES, DS. 04-05.  | 538         |
| 390764             | MC390764                    | N/D                   | 23.8 mm 15/16"  | Nissan Infiniti I-35 Sport 02-03.  | 538         |
| 390765             | MC390765                    | N/D                   | 13/16" & 15/16" | Mercedez Benz C240 01-02 4 Ruedas Con ABS  | 538         |
| 390766             | MC390766                    | N/D                   | 13/16" & 1"     | Mercedes Benz Clk320 04-05, Clk500 03-05, Clk500 Convertible 03-05, Mercedes Benz C32 01-04, C320 01-05, C350 06-07, Cls 350 06-07, Cls 500 06-07, Cls 55 06, Clk350, Clk350 Convertible 06, Clk500, Clk500 Convertible 06, SLK350 05-07 | 538         |
| 390768             | MC390768                    | N/D                   | 7/8" & 1"       | BMW X5 02-08   | 538         |
| 390772             | MC390772                    | N/D                   | 7/8" & 1"       | Mercedes Benz Clk430 99-03 con ABS, Mercedes Benz E55 Amg 99-04  | 538         |
| 390777             | MC390777                    | N/D                   | 25.4 mm 1"      | Nissan Infiniti Q-45 02-05.  | 538         |
| 390778             | MC390778                    | N/D                   | 25.4 mm 1"      | Audi A4 02-09. Audi A6 02-04. Audi A8 97-01. Audi S6 01-04., Volkswagen Passat 02-05, Passat W8 03-05  | 538         |
| 390780             | MC390780                    | N/D                   | 25.4 mm 1"      | Mitsubishi Outlander 04-08 Sin Abs   | 538         |
| 390781             | MC390781                    | N/D                   | 25.4 mm 1"      | Mitsubishi Outlander 04-08 Con Abs   | 538         |
| 390782             | MC390782                    | N/D                   | 33.3 mm 1-5/16" | Chrysler Ram-1500 02-06, Ram-2500, Ram-2500 Quad Cab 03-06   | 538         |
| 390787             | MC390787                    | N/D                   | 28.5 mm 1-1/8"  | Ford Econoline E-150 Sin Control De Traccion 02-03, Econoline Wagon E-150 8 Pasajeros Sin Control 02-03  | 538         |
| 390788             | MC390788                    | N/D                   | 25.4 mm 1"      | Chrysler Pacifica 04-06. Sin control de tracción   | 538         |
| 390790             | MC390790                    | N/D                   | 26.9 mm 1-1/16" | Ford Explorer Eddie Bauer XLS V-6, XLT V8, Limited 01-05. Explorer Sport 03-05. Mercury Mountanner 05. Trans. Manual   | 539         |
| 390800             | MC390800                    | N/D                   | 23.8 mm 15/16"  | Nissan Altima Sedan S, Altima Sedan SL, Altima Sedan SE 02-06 sin ABS 02-06  | 539         |
| 390801             | N/D                         | 830                   | 20.6 mm 13/16"  | Chevrolet Chevy Joy, Swing 94-03, Chevy Monza 97-03, Chevy Pop 96-03, Chevy Vagoneta 00-03, Chevy Pick Up 99   | 539         |
| 390802             | MC390802                    | N/D                   | 31.7 mm 1-1/4"  | Ford Lobo 150 01-02, Lobo 250 01-02 Sin control de cruceo  | 539         |
| N 390804           | MC390804                    | N/D                   | 34.0 mm         | Chevrolet Avalanche 1500 03, Escalade 04-06, Escalade ESV 04-06, Escalade EXT 04-06 Nacional, Tahoe 03-06, Yukon 04-06, Yukon XL 1500 04-06 USA  | 539         |



## TABLA DE APLICACIONES POR LÍNEA DE PRODUCTO

| CILINDROS MAESTROS |                             |                       |                |   |             |
|--------------------|-----------------------------|-----------------------|----------------|---|-------------|
| NÚMERO DE PARTE    | NÚMERO CIL. MTRO. RAYBESTOS | NÚMERO REPUESTO LUSAC | MEDIDA         | APLICACIÓN  | FOTO PÁGINA |
| N 390805           | MC390805                    | N/D                   | 25.4 mm 1"     | Chevrolet Escalade 03, Escalade ESV 03, Escalade EXT 03 Nacional, Tahoe 03, Yukon 03, Yukon XL 1500 03 USA  | 539         |
| N 390806           | MC390806                    | N/D                   | 25.4 mm 1"     | Chevrolet Avalanche 1500 03-06, Escalade 03-05, Escalade ESV 03-05, Escalade EXT 03-05 Nacional, Sierra 1500 03-06, Sierra 1500HD 03, Sierra Classic 1500 07, Silverado 1500 03-06, Silverado 1500HD 03, Silverado Classic 1500 07, Tahoe 03, Yukon 03-06 USA                     | 539         |
| N 390807           | MC390807                    | N/D                   | 22.2 mm 7/8"   | Honda: Civic 02-04  | 539         |
| N 390808           | MC390808                    | N/D                   | 22.2 mm 7/8"   | Honda Civic 04-05 Sin ABS   | 539         |
| N 390809           | MC390809                    | N/D                   | 23.8 mm 15/16" | Ford Focus de tracción dinámica de avance Interactivo 00-03   | 539         |
| N 390810           | MC390810                    | N/D                   | 25.4 mm 1"     | Ford: Windstar 02-03, Freestar  | 539         |
| N 390811           | MC390811                    | N/D                   | 25.4 mm 1"     | Ford F150 04-09, Mark LT 06-08  | 539         |
| N 390816           | MC390816                    | N/D                   | 23.8 mm 15/16" | Chrysler Stratus 03-06  | 539         |
| N 390820           | MC390820                    | N/D                   | 25.4 mm 1"     | Ford F150 03 D/T  | 539         |
| N 390821           | MC390821                    | N/D                   | 25.4 mm 1"     | Dodge Ram 1500 03-05 Con ABS a las ruedas traseras  | 539         |
| N 390843           | MC390843                    | N/D                   | 34.0 mm        | Chevrolet Avalanche 1500 04-06, Escalade 04-06, Escalade ESV 04-06, Escalade EXT 04-06 ), Express 1500 03-07, Express 2500 03-05, Express 2500 EXT 03-05, Sierra Classic 1500 07-10 Nacional, Savana 1500 03-07, Savana 2500 03-05, Savana 2500 EXT 03-05, Sierra 1500 04-06, USA | 539         |
| N 390847           | MC390847                    | N/D                   | 31.7 mm 1-1/4" | Ford Econoline E-150, Econoline Wagon E-150 04 Sin control de crucero   | 540         |
| N 390849           | MC390849                    | N/D                   | 31.7 mm 1-1/4" | Ford Econoline E-150, Econoline Wagon E-150 04-05 Con Control De Traccion   | 540         |
| N 390852           | MC390852                    | N/D                   | 25.4 mm 1"     | Dodge Durango 04-06 Sin Control de Tracc  | 540         |
| N 390857           | MC390857                    | N/D                   | 22.2 mm 7/8"   | Toyota Camry 05-06 Nacional, Lexus ES330 04-06 USA Con Control de Estabilidad   | 540         |
| N 390867           | MC390867                    | N/D                   | 25.4 mm 1"     | Nissan Frontier 03-04, Xterra 03-05   | 540         |
| N 390874           | MC390874                    | N/D                   | 25.4 mm 1"     | Mitsubishi Lancer LS 04-05, Mitsubishi Raliant 05 4 Ruedas con ABS  | 540         |
| N 390898           | MC390898                    | N/D                   | 22.2 mm 7/8"   | Toyota Camry V6 02-06, Solara 05-06 Nacional, Lexus ES300 02-03, ES330 04-06 USA  | 540         |
| N 390899           | MC390899                    | N/D                   | 23.8 mm 15/16" | Toyota: Camry XLE 05-06, Solara 05-06 Con Control de estabilidad  | 540         |
| N 390901           | N/D                         | 90901                 | 20.6 mm 13/16" | Volkswagen Pointer 1.8 Lts 98-02 Pointer City 00-02 Pointer Vagoneta 99-02  | 540         |
| N 390911           | N/D                         | N/D                   | 20.6 mm 13/16" | Seat Ibiza 01-08, Toledo 1.8 Lts. 01-03, Toledo Sport Turbo 01-05   | 540         |
| N 390921           | N/D                         | N/D                   | 22.2 mm 7/8"   | Seat Cordoba 01-08, Leon 01-04  | 540         |
| N 390923           | MC390923                    | N/D                   | 13/16" & 7/8"  | BMW 323i 98-01, 323 Ti 99-01  | 540         |
| N 390924           | MC390924                    | N/D                   | 25.4 mm 1"     | SAAB 9-3 01-05, 9-3 Convertible 04  | 540         |
| N 390925           | MC390925                    | N/D                   | 23.8 mm 15/16" | Volkswagen Beetle; 04-07 Golf; 02-05, Jetta 00-05 Con programa de estabilidad electronica (ESP)   | 540         |
| N 390926           | MC390926                    | N/D                   | 25.4 mm 1"     | Dodge Dakota 05-10 Con ABS a las ruedas traseras  | 540         |
| N 390930           | MC390930                    | N/D                   | 25.4 mm 1"     | Chevrolet Silverado 1500 05-07, Sierra 1500 07  | 540         |
| N 390931           | N/D                         | N/D                   | 22.2 mm 7/8"   | Volkswagen Golf A3 CL, GL. 1.8 Lts 93-94 y 97-99, Golf A3 GLS 93 y 97-99, Golf Cabrio A3 97-99, Golf Cabrio A4 00-02, Golf GTI A3 93-94 y 97-99, Jetta GLS, Europa A3 93 y 97-99, Passat 91-93 y 96-97  | 541         |
| N 390941           | N/D                         | N/D                   | 20.6 mm 13/16" | Volkswagen Combi 1600/1800 USA 92-02 sin Booster  | 541         |
| N 390951           | N/D                         | N/D                   | 20.6 mm 13/16" | Volkswagen Combi Panel 73-88  | 541         |
| N 390978           | MC390978                    | N/D                   | 25.4 mm 1"     | Chrysler Dodge Charger 06-07 Sin Control de Tracc   | 541         |
| N 390979           | MC390979                    | N/D                   | 23.8 mm 15/16" | Dodge: Sprinter 2500 03-07, Sprinter 3500 03-07   | 541         |
| N 390991           | MC390991                    | N/D                   | 25.4 mm 1"     | Chrysler 300C 06-07, Charger 06-07  | 541         |
| N 391005           | MC391005                    | N/D                   | 20.6 mm 13/16" | Toyota Yaris 07-09 Con Transmisión Manual   | 541         |


**Lusac**

**Raybestos**  
*The best in brakes*
**TABLA DE APLICACIONES POR LÍNEA DE PRODUCTO**

| CILINDROS MAESTROS |                             |                       |                 |   |             |
|--------------------|-----------------------------|-----------------------|-----------------|---|-------------|
| NÚMERO DE PARTE    | NÚMERO CIL. MTRO. RAYBESTOS | NÚMERO REPUESTO LUSAC | MEDIDA          | APLICACIÓN  | FOTO PÁGINA |
| 391026             | MC391026                    | N/D                   | 37.0 mm         | Chevrolet Express 3500 04-08, Express 3500 EXT 04-08 Nacional, Savana 3500 04-07, Savana 3500 EXT 04-07 USA   | 541         |
| 475431             | 475431                      | N/D                   | 26.9 mm 1-1/16" | Chrysler Dodge Stratus 98-02, Mitsubishi Eclipse con ABS 03-05. Galant con ABS 03. Nacional Chrysler Sebring Coupe, Dodge Stratus Coupe con ABS 01-02. USA,   | 541         |
| 475973             | 475973                      | N/D                   | 26.9 mm 1-1/16" | Chrysler Dodge Stratus 98-02, Mitsubishi Eclipse sin ABS y control traction 00-05 Nacional Chrysler Sebring Coupe, Dodge Stratus Coupe sin ABS y sin control de traccion 01-02. USA,  | 541         |
| 2623214            | MC39075                     | N/D                   | 31.7 mm 1-1/4"  | Chevrolet GM G20, G25, K30, K35 74-76, GM G30, G35 71-78, GM C20 Suburban 71-80, GM C20, C25 Pickup, K20, K25 71-80, GM C30, C35, K20 Suburban, P20, P30 71-78 USA  | 541         |
| 3495064            | 3495064                     | 908080                | 22.2 mm 7/8"    | Chevrolet Corsa 02-05, Corsa Sedan 03-05  | 541         |
| 4721565            | MC390710                    | N/D                   | 26.9 mm 1-1/16" | Chrysler Town & Country Con Control de Tracc 01-02, Grand Voyager D/D Con control de tracc 01-02 Nacional, Chrysler Town & Country D/D Con control de Trac 01-02, Nacional Dodge Caravan, Grand Caravan D/D Con control de Trac, 01-02 Plymouth Voyager USA | 541         |
| 5011256            | MC390426                    | N/D                   | 31.7 mm 1-1/4"  | Chrysler Dodge Pick-up R 1500 00-01 USA   | 541         |
| 5011260            | MC390511                    | N/D                   | 25.4 mm 1"      | Chrysler Jeep Grand Cherokee 99-03  | 541         |
| 5015160            | 5015160                     | N/D                   | 23.8 mm 15/16"  | Chrysler PT Cruiser con freno de disco a las 4 ruedas y con ABS 00-05, Dodge Neon con freno de disco a las 4 ruedas y con ABS 00-02   | 541         |
| 5017973            | 5017973                     | N/D                   | 23.8 mm 15/16"  | Chrysler PT Cruiser sin ABS 01-05, Neon con freno de disco a las 4 ruedas y sin ABS 02  | 542         |
| 5019401            | 05019401                    | N/D                   | 25.4 mm 1"      | Chrysler Stratus 02-04  | 542         |
| 5069615            | 05069615                    | 2720                  | 20.6 mm 13/16"  | Chrysler Atos 01-04 2 SALIDAS   | 542         |
| 5080888            | MC390742                    | N/D                   | 33.3 mm 1-5/16" | Chrysler Ram 1500 02  | 542         |
| 5083353            | 5083353                     | 2726                  | 20.6 mm 13/16"  | Chrysler Atos 4 SALIDAS 02-07   | 542         |
| 9193225            | 9193225                     | N/D                   | 23.8 mm 15/16"  | Chevrolet Astra 1.8 Lts. 00-03, Astra 2.2 Lts. 01-03, Astra Vagoneta 01-03 Sin ABS  | 542         |
| 18009372           | MC39570                     | N/D                   | 24.0mm/31.7mm   | Chevrolet Bonneville, Calais, Cutlass, El Camino, Grand Prix, Malibu, Monte Carlo, Regal, Riviera 82, S & T10 Blazer 82-90, S & T10 Pickup 82-90 Nacional, S & T15 Jimmy 82-90, S & T15 Sonoma 82-90 USA  | 542         |
| 18026274           | MC390427                    | N/D                   | 25.4 mm 1"      | Chevrolet Blazer (S/T 2WD & 4WD) 98-99 Nacional, Pickup (S/T 2WD & 4WD) 98-00, Olds Bravada 98-99 USA   | 542         |
| 18029970           | MC390278                    | N/D                   | 40.0 mm         | Chevrolet C-30, C-35, C-3500 92-00, C-3500 HD 96-00   | 542         |
| 18060790           | MC390542                    | N/D                   | 37.0 mm         | Chevrolet Avalanche 2500 02, Escalade 02, Escalade EXT 02, Silverado 1500 4X2 y 4X4 4 Ptas. heavy duty 01-02  | 542         |
| 39009900           | N/D                         | N/D                   | 25.4 mm 1"      | Hyundai H-100 03-06   | 542         |
| 39009901           | N/D                         | N/D                   | 22.2 mm 7/8"    | Hyundai VERNA 04-06   | 542         |
| 39009902           | N/D                         | N/D                   | 20.6 mm 13/16"  | Chevrolet C2 04-08, Chevy C2 Sedan 05-09, Chevy Pick Up 99-03   | 542         |
| 39009903           | N/D                         | N/D                   | 23.8 mm 15/16"  | Chevrolet Astra 1.8 Lts. 00-03 y 07, Astra 2.0 Lts. 04-06, Astra 2.2 Lts. 01-03, Astra Vagoneta 01-03, Astra Turbo 07-08  | 542         |
| 93172089           | 93172089                    | N/D                   | 25.4 mm 1"      | Chevrolet Opel Vectra 03-04   | 542         |
| 93305031           | 93305031                    | N/D                   | 23.8 mm 15/16"  | Chevrolet Meriva 04-06, Tornado 04-07   | 542         |
| 4601000Q           | 4601000Q                    | 904080                | 20.6 mm 13/16"  | Nissan Platina 02-08, Renault Clio 02-08, Clio Expression 04-08, Clio Energy 07   | 543         |
| 460107B7           | MC390441                    | N/D                   | 25.4 mm 1"      | Nissan Frontier 4L 01-02, Frontier V6 01-02   | 543         |
| 460108B6           | MC390466                    | N/D                   | 25.4 mm 1"      | Nissan Frontier 98-99   | 543         |
| 46010A05           | MC39555                     | N/D                   | 19.0mm/23.8mm   | Nissan Tsuru I 84-87, Tsuru II 88-92, (Cilindro Tokico)   | 543         |
| 46010F40           | 46010F40                    | N/D                   | 23.8 mm 15/16"  | Nissan Estaquitas Pick up 87-94, Pick up D-21 92-03, Pick up Doble Cabina 91-03, Pick up corto 90-00, Pick up King Cab 95-00, Pick up Largo 97-03, Pick up 250 94-96, Estaquitas Pick up 95-02  | 543         |



## TABLA DE APLICACIONES POR LÍNEA DE PRODUCTO

| CILINDROS MAESTROS |                             |                       |                |  |             |
|--------------------|-----------------------------|-----------------------|----------------|--|-------------|
| NÚMERO DE PARTE    | NÚMERO CIL. MTRO. RAYBESTOS | NÚMERO REPUESTO LUSAC | MEDIDA         | APLICACIÓN   | FOTO PÁGINA |
| 46010J01           | MC39228                     | N/D                   | 22.2 mm 7/8"   | Nissan Pick-up Doble 620 77 USA  | 543         |
| 46010W87           | MC39150                     | N/D                   | 22.2 mm 7/8"   | Nissan Datsun 79-84  | 543         |
| F7RZ2140           | MC390463                    | N/D                   | 25.4 mm 1"     | Ford Contour 96-00   | 543         |
| IJ1614019          | MC390500                    | N/D                   | 23.8 mm 15/16" | Volkswagen Beetle 2.0 Its 98-05, Beetle Turbo 1.8 Its 00-05, Beetle Cabriolet Turbo 1.8 Its 03-05, Golf GTI A4 2.0 Its S/ABS 00-05, Golf A4 2.0 Its S/ABS 00-06, Jeta 2.0 Lts A4 00-05 | 543         |
| MIS55214           | MIS55214                    | 903330                | 22.2 mm 7/8"   | Ford KA 01-03  | 543         |
| XF5Z2140           | MC390115                    | N/D                   | 25.4 mm 1"     | Nissan Quest XE 97-03 con ABS Nacional, Ford Mercury Villager con ABS 99-00 USA.   | 543         |



- Amplia cobertura de números de parte para vehículos nacionales e importados.
- LUSAC ofrece castings tanto de Duraluminio como de hierro en sus cilindros maestros, ajustandose a las necesidades del equipo original.
- Material de excelentes características mecánicas, que permiten a los cilindros maestros LUSAC responder ante las más altas exigencias de presión y temperatura.
  - Interiores con acabado tipo espejo que permite un sellado perfecto evitando fugas.
  - Resortes interiores de acero templado con recubrimiento antioxidante que ofrecen larga vida útil.
- Sometemos nuestras gomas a una prueba rigurosa de 70 mil ciclos, en la que se manejan valores elevados de temperatura y presión. Esta prueba es difícilmente superada por nuestros competidores.
- Lubricación interna en los repuestos de los cilindros maestros, que previenen la oxidación durante su almacenamiento, evitando que se dañen las gomas, asegurando un correcto funcionamiento, durante un largo tiempo.



**Lusac**



**Raybestos**  
The best in brakes

## FOTOGRAFÍAS DE PRODUCTOS Y ESPECIFICACIONES





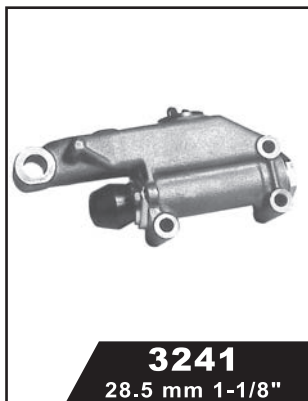
**Lusac**



**Raybestos**  
The best in brakes

**CILINDROS MAESTROS**

**544 - 9221**





**Lusac**



**Raybestos**  
The best in brakes

FOTOS CILINDROS MAESTROS

## CILINDROS MAESTROS

14019 - 32900



**14019**  
26.9 mm 1-1/16"



**14021**  
31.7 mm 1-1/4"



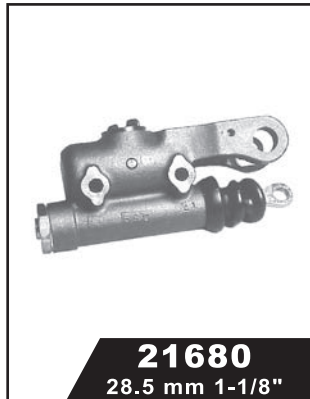
**18000**  
25.4 mm 1"



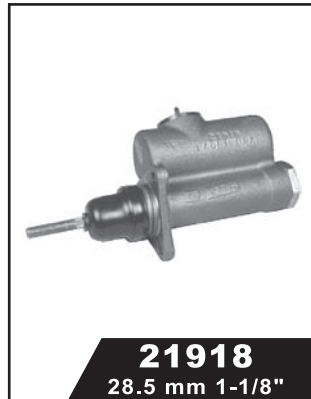
**19450**  
38.1 mm 1-1/2"



**21000**  
25.4 mm 1"



**21680**  
28.5 mm 1-1/8"



**21918**  
28.5 mm 1-1/8"



**22975**  
26.9 mm 1-1/16"



**22976**  
31.7 mm 1-1/4"



**22977**  
38.1 mm 1-1/2"



**22978**  
44.4 mm 1-3/4"



**25517**  
26.9 mm 1-1/16"



**27047**  
28.5 mm 1-1/8"



**LC-27304**  
38.1 mm 1-1/2"



**32839**  
28.5 mm 1-1/8"



**32900**  
25.4 mm 1"









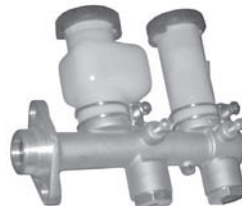




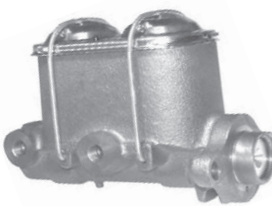




**Lusac**



**Raybestos**  
The best in brakes

**CILINDROS MAESTROS**

**34224 - 39087**

|  |  |   |  |
|--|--|---|--|
|  <p><b>34224</b><br/>25.4 mm 1"</p>       |  <p><b>34403</b><br/>25.4 mm 1"</p>       |  <p><b>34404</b><br/>28.5 mm 1-1/8"</p>   |  <p><b>34451</b><br/>31.7 mm 1-1/4"</p>   |
|  <p><b>36313</b><br/>25.4 mm 1"</p>     |  <p><b>36413</b><br/>19.0 mm 3/4"</p>   |  <p><b>36482</b><br/>19.0 mm 3/4"</p>    |  <p><b>36666</b><br/>31.7 mm 1-1/4"</p>  |
|  <p><b>36706</b><br/>25.4 mm 1"</p>     |  <p><b>37073</b><br/>28.5 mm 1-1/8"</p> |  <p><b>39006</b><br/>19.0 mm 3/4"</p>   |  <p><b>39009</b><br/>28.5 mm 1-1/8"</p> |
|  <p><b>39038</b><br/>23.8 mm 15/16"</p> |  <p><b>39039</b><br/>20.6 mm 13/16"</p> |  <p><b>39040</b><br/>20.6 mm 13/16"</p> |  <p><b>39087</b><br/>17.4 mm 11/16"</p> |



**Lusac**

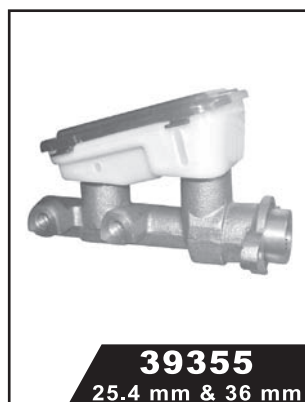
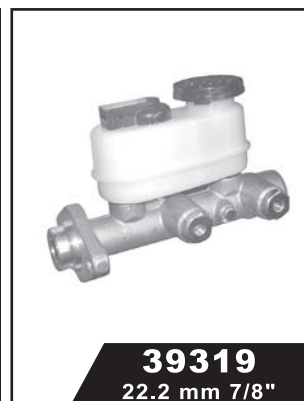
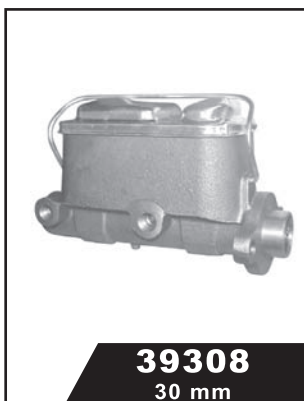
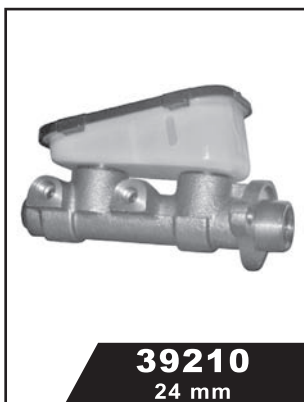
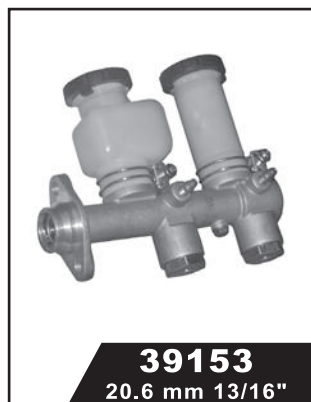


**Raybestos**  
The best in brakes

FOTOS CILINDROS MAESTROS

## CILINDROS MAESTROS

39153 - 39403







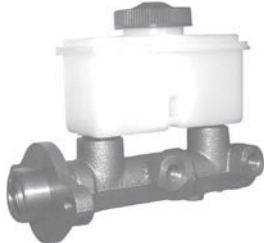

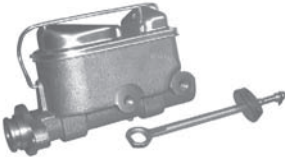





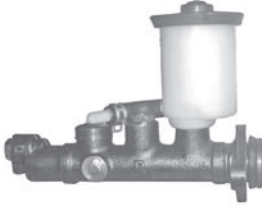



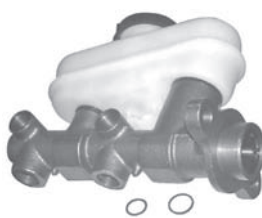

**Lusac**



**Raybestos**  
The best in brakes

**CILINDROS MAESTROS**

**39404 - 39499**

|  |  |  |  |
|--|--|--|--|
|  <p><b>39404</b><br/>23.8 mm 15/16"</p>   |  <p><b>39406</b><br/>19.0 mm 3/4"</p>     |  <p><b>39411</b><br/>22.2 mm 7/8"</p>            |  <p><b>39413</b><br/>28.6 &amp; 40mm</p>  |
|  <p><b>39419</b><br/>23.8 mm 15/16"</p> |  <p><b>39422</b><br/>22.2 mm 7/8"</p>    |  <p><b>39423</b><br/>20.6 mm 13/16"</p>         |  <p><b>39426</b><br/>20.6 mm 13/16"</p>  |
|  <p><b>39453</b><br/>22.2 mm 7/8"</p>   |  <p><b>39454</b><br/>20.6 mm 13/16"</p> |  <p><b>39458</b><br/>20.6 mm 13/16"</p>        |  <p><b>39465</b><br/>20.6 mm 13/16"</p> |
|  <p><b>39473</b><br/>22.2 mm 7/8"</p>   |  <p><b>39486</b><br/>22.2 mm 7/8"</p>   |  <p><b>39498</b><br/>19.7 mm &amp; 28.6 mm</p> |  <p><b>39499</b><br/>20.6 mm 13/16"</p> |



**Lusac**

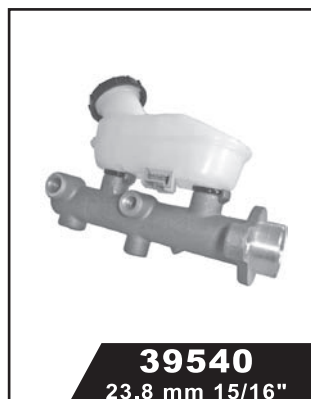


**Raybestos**  
The best in brakes

FOTOS CILINDROS MAESTROS

## CILINDROS MAESTROS

39500 - 39591





















**Lusac**



**Raybestos**  
The best in brakes

**CILINDROS MAESTROS**

**39592 - LC-39646**

|  |  |   |   |
|--|--|---|---|
|  <p><b>39592</b><br/>23.8 mm 15/16"</p>   |  <p><b>39593</b><br/>25.4 mm 1"</p>       |  <p><b>39594</b><br/>23.8 mm 15/16"</p>   |  <p><b>39596</b><br/>23.8 mm 15/16"</p>    |
|  <p><b>39599</b><br/>19.0 mm 3/4"</p>    |  <p><b>39600</b><br/>23.8 mm 15/16"</p>  |  <p><b>39606</b><br/>25.4 mm 1"</p>      |  <p><b>39609</b><br/>25.4 mm 1"</p>       |
|  <p><b>39612</b><br/>23.8 mm 15/16"</p> |  <p><b>39632</b><br/>25.4 mm 1"</p>     |  <p><b>39635</b><br/>28.5 mm 1-1/8"</p> |  <p><b>39638</b><br/>24 mm</p>           |
|  <p><b>39639</b><br/>20.6 mm 13/16"</p> |  <p><b>39640</b><br/>23.8 mm 15/16"</p> |  <p><b>39643</b><br/>22.2 mm 7/8"</p>   |  <p><b>LC-39646</b><br/>28.5 mm 40mm</p> |



**Lusac**



















**Raybestos**  
The best in brakes

FOTOS CILINDROS MAESTROS

## CILINDROS MAESTROS

39648 - 39735

|   |   |  |  |
|---|---|--|--|
| <br><b>39648</b><br>20.6 mm 13/16"   | <br><b>39649</b><br>31.7 mm 1-1/4" | <br><b>39651</b><br>25.4 mm & 36.0 mm | <br><b>39653</b><br>22.2 mm 7/8"    |
| <br><b>39654</b><br>22.2 mm 7/8"    | <br><b>39657</b><br>22.2 mm 7/8"  | <br><b>39658</b><br>23.8 mm 15/16"   | <br><b>39666</b><br>22.2 mm 7/8"   |
| <br><b>39669</b><br>23.8 mm 15/16" | <br><b>39676</b><br>20.0 mm      | <br><b>39699</b><br>20.6 mm 13/16"  | <br><b>39703</b><br>3/4" & 15/16" |
| <br><b>39704</b><br>3/4" & 1"      | <br><b>39716</b><br>22.2 mm 7/8" | <br><b>39720</b><br>19.0 mm 3/4"    | <br><b>39735</b><br>25.4 mm 1"    |



















**Lusac**



**Raybestos**  
The best in brakes

**CILINDROS MAESTROS**

**39736 - 39812**

|  |  |   |  |
|--|--|---|--|
|  <p><b>39736</b><br/>22.2 mm 7/8"</p>     |  <p><b>39743</b><br/>22.2 mm 7/8"</p>     |  <p><b>39745</b><br/>24.0 mm</p>          |  <p><b>39748</b><br/>23.8 mm 15/16"</p>   |
|  <p><b>39757</b><br/>22.2 mm 7/8"</p>    |  <p><b>39765</b><br/>25.4 mm 1"</p>      |  <p><b>39772</b><br/>25.4 mm 1"</p>      |  <p><b>39782</b><br/>25.4 mm 1"</p>      |
|  <p><b>39786</b><br/>23.8 mm 15/16"</p> |  <p><b>39791</b><br/>23.8 mm 15/16"</p> |  <p><b>39795</b><br/>23.8 mm 15/16"</p> |  <p><b>39797</b><br/>23.8 mm 15/16"</p> |
|  <p><b>39799</b><br/>25.4 mm 1"</p>     |  <p><b>39805</b><br/>13/16 &amp; 1"</p> |  <p><b>39810</b><br/>22.2 mm 7/8"</p>   |  <p><b>39812</b><br/>20.6 mm 13/16"</p> |



**Lusac**



**Raybestos**  
The best in brakes

FOTOS CILINDROS MAESTROS

## CILINDROS MAESTROS

39853 - 39968





**Lusac**



**Raybestos**  
The best in brakes

**CILINDROS MAESTROS**

**39970 - 56193**

|  |  |   |  |
|--|--|---|--|
|  <p><b>39970</b><br/>25.4 mm 1"</p>   |  <p><b>39973</b><br/>22.2 mm 7/8"</p>     |  <p><b>39976</b><br/>25.4 mm 1"</p>     |  <p><b>39977</b><br/>25.4 mm 1"</p>       |
|  <p><b>39978</b><br/>25.4 mm 1"</p>  |  <p><b>39979</b><br/>23.8 mm 15/16"</p>  |  <p><b>39980</b><br/>25.4 mm 1"</p>    |  <p><b>39981</b><br/>23.8 mm 15/16"</p> |
|  <p><b>39988</b><br/>25.4 mm 1"</p> |  <p><b>39989</b><br/>23.8 mm 15/16"</p> |  <p><b>39993</b><br/>22.2 mm 7/8"</p> |  <p><b>39996</b><br/>25.4 mm 1"</p>     |
|  <p><b>40000</b><br/>25.4 mm 1"</p> |  <p><b>42194</b><br/>38.1 mm 1-1/2"</p> |  <p><b>43207</b><br/>25.4 mm 1"</p>   |  <p><b>56193</b><br/>25.4 mm 1"</p>     |



**Lusac**

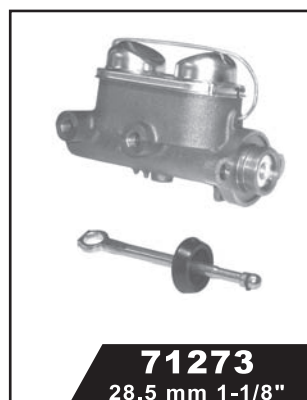
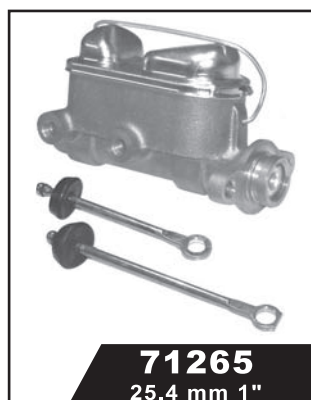
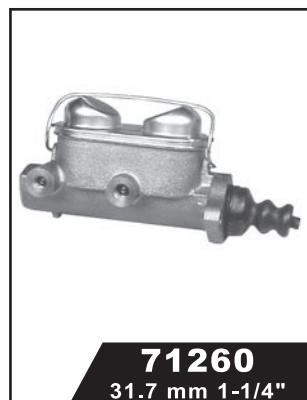
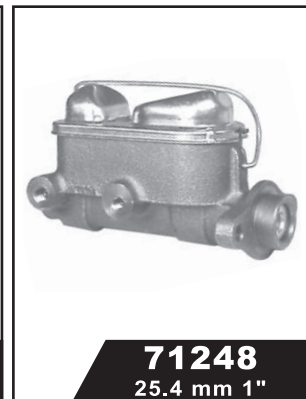
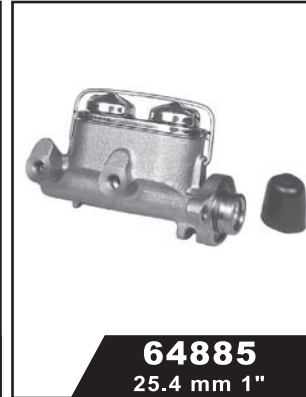


**Raybestos**  
The best in brakes

FOTOS CILINDROS MAESTROS

## CILINDROS MAESTROS

57597 - 71277





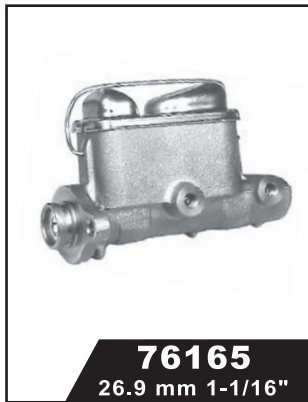
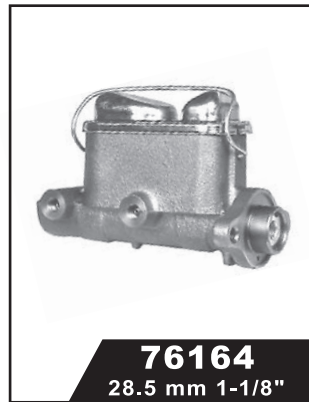
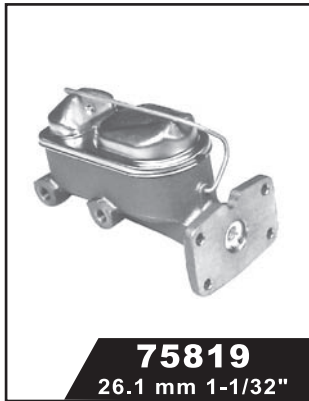
**Lusac**



**Raybestos**  
The best in brakes

**CILINDROS MAESTROS**

**73323 - 80266**





**Lusac**

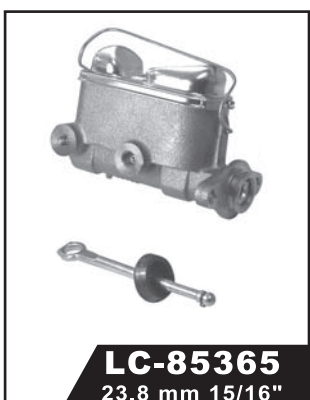
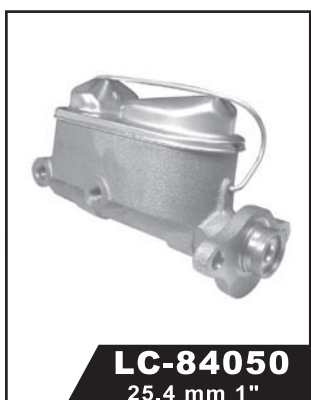
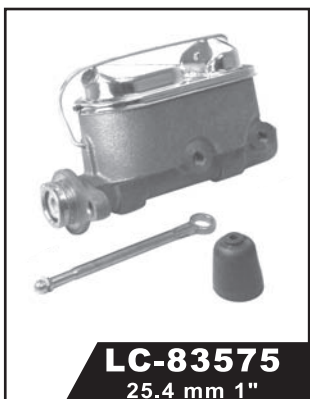


**Raybestos**  
The best in brakes

## CILINDROS MAESTROS

30293 - 96409

FOTOS CILINDROS MAESTROS





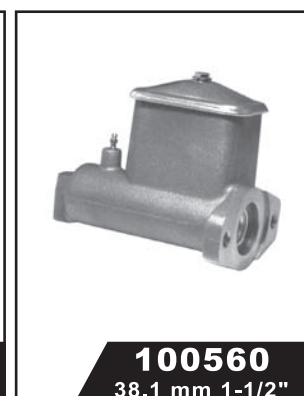
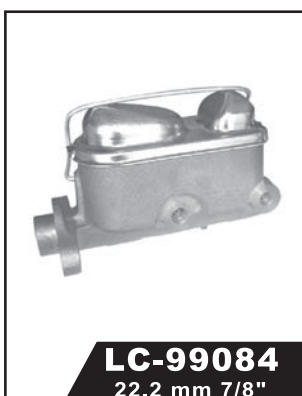
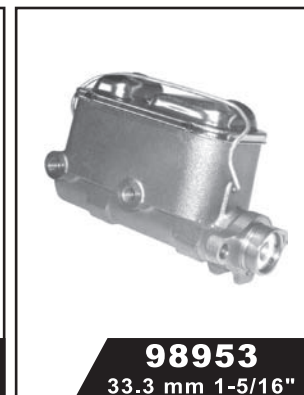
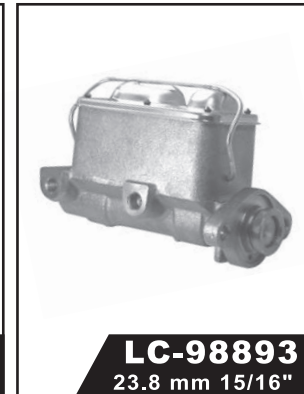
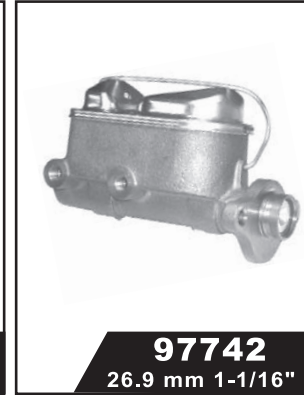
**Lusac**



**Raybestos**  
The best in brakes

**CILINDROS MAESTROS**

**LC-96415 - 100560**





**Lusac**




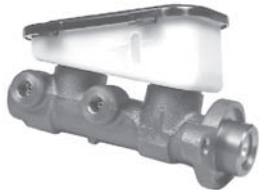


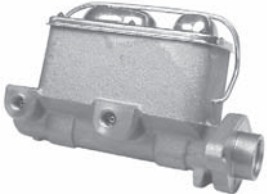


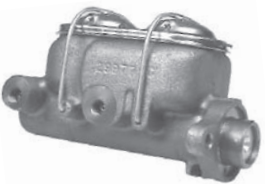

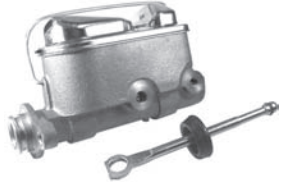
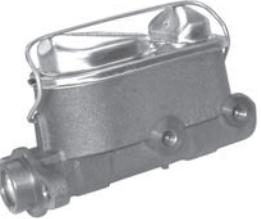
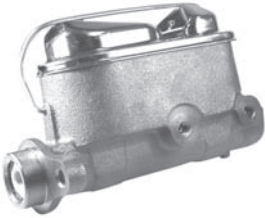




**Raybestos**  
The best in brakes

FOTOS CILINDROS MAESTROS

## CILINDROS MAESTROS

100756 - 103254

|   |   |   |   |
|---|---|---|---|
|  <p><b>100756</b><br/>22.2 mm 7/8"</p>       |  <p><b>100760</b><br/>19.0 mm 3/4"</p>         |  <p><b>101252</b><br/>22.2 mm 7/8"</p>       |  <p><b>LC-101253</b><br/>23.8 mm 15/16"</p>  |
|  <p><b>LC-101254</b><br/>28.5 mm 1-1/8"</p> |  <p><b>101255</b><br/>25.4 mm 1"</p>          |  <p><b>LC-101258</b><br/>28.5 mm 1-1/8"</p> |  <p><b>LC-101266</b><br/>31.7 mm 1-1/4"</p> |
|  <p><b>101268</b><br/>28.5 mm 1-1/8"</p>   |  <p><b>101269</b><br/>28.5 mm 1-1/8"</p>     |  <p><b>102165</b><br/>22.2 mm 7/8"</p>     |  <p><b>102418</b><br/>25.4 mm 1"</p>       |
|  <p><b>102420</b><br/>26.9 mm 1-1/16"</p>  |  <p><b>LC-102421</b><br/>26.9 mm 1-1/16"</p> |  <p><b>103238</b><br/>34.0 mm</p>          |  <p><b>103254</b><br/>38.1 mm 1-1/2"</p>   |





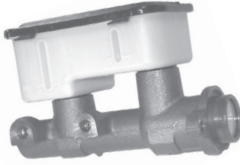

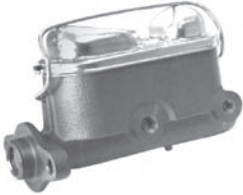
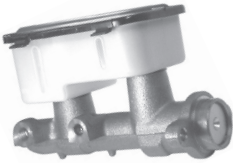


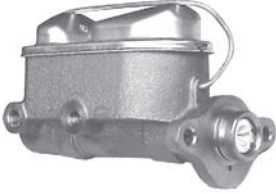


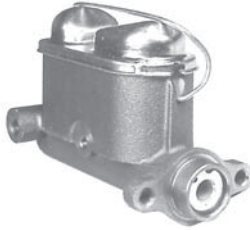
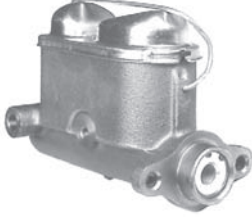
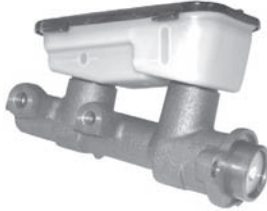
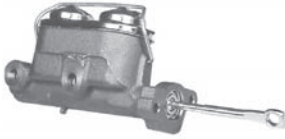
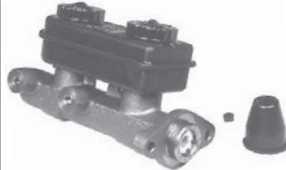
**Lusac**



**Raybestos**  
The best in brakes

**CILINDROS MAESTROS**

**104460 - 107078**

|   |   |  |   |
|---|---|--|---|
|  <p><b>104460</b><br/>28.5 &amp; 40.0 mm</p> |  <p><b>LC-104464</b><br/>31.7 mm 1-1/4"</p>      |  <p><b>104466</b><br/>25.4 &amp; 36.0 mm</p>   |  <p><b>104471</b><br/>21.0 mm</p>            |
|  <p><b>104473</b><br/>21.0 mm</p>           |  <p><b>LC-104516</b><br/>28.5 &amp; 40.0 mm</p> |  <p><b>105799</b><br/>24 mm &amp; 31.7 mm</p> |  <p><b>LC-105808</b><br/>21.0 mm</p>        |
|  <p><b>105872</b><br/>25.4 mm 1"</p>       |  <p><b>105874</b><br/>25.4 mm 1"</p>           |  <p><b>LC-106437</b><br/>31.7 mm 1-1/4"</p>  |  <p><b>106437-A</b><br/>31.7 mm 1-1/4"</p> |
|  <p><b>106437-B</b><br/>31.7 mm 1-1/4"</p> |  <p><b>107050</b><br/>24.0 mm</p>              |  <p><b>107053</b><br/>22.2 mm 7/8"</p>       |  <p><b>107078</b><br/>22.2 mm 7/8"</p>     |



**Lusac**

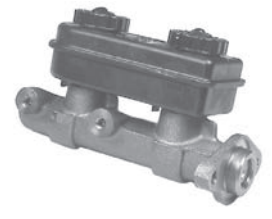






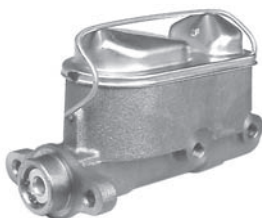


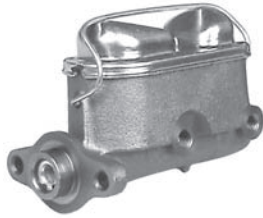







**Raybestos**  
The best in brakes

FOTOS CILINDROS MAESTROS

## CILINDROS MAESTROS

## LC-108134 - 114081

|   |   |   |  |
|---|---|---|--|
| <br><b>LC-108134</b><br>21.0 mm          | <br><b>LC-108145</b><br>33.3 mm 1-5/16"  | <br><b>LC-108151</b><br>20.0 mm          | <br><b>108161</b><br>23.8 mm 15/16"   |
| <br><b>LC-108168</b><br>24.0 mm         | <br><b>108700</b><br>24.0 mm & 31.75 mm | <br><b>110887</b><br>28.5 mm 1-1/8"     | <br><b>110917</b><br>26.9 mm 1-1/16" |
| <br><b>LC-110919</b><br>28.5 mm 1-1/8" | <br><b>110983</b><br>20.6 mm 13/16"    | <br><b>112311</b><br>21.00 mm          | <br><b>112590</b><br>22.2 mm 7/8"   |
| <br><b>112591</b><br>22.2 mm 7/8"      | <br><b>114075</b><br>23.8 mm 15/16"    | <br><b>LC-114079</b><br>28.5 mm 1-1/8" | <br><b>114081</b><br>23.8 mm 15/16" |





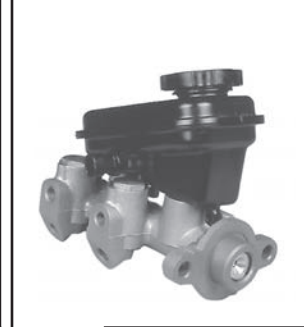
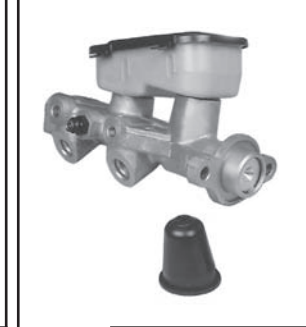
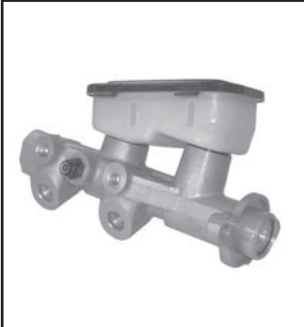

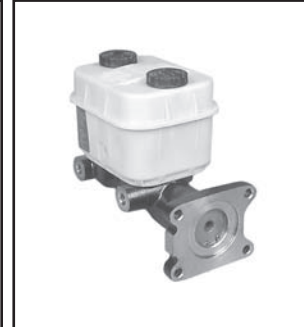
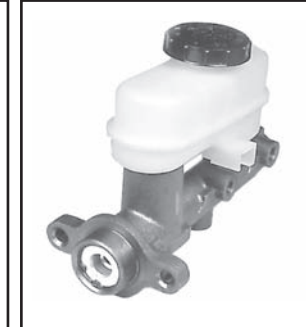


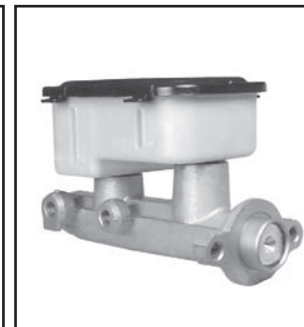
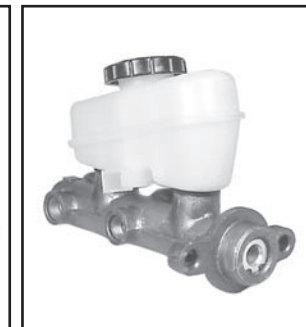


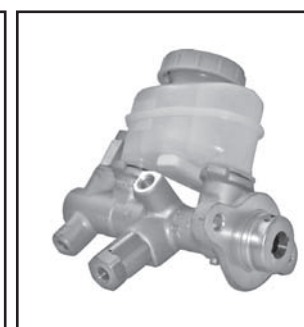
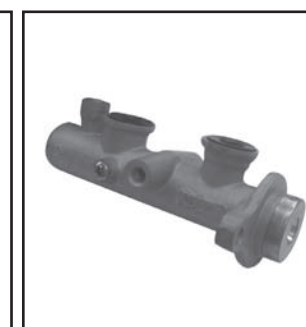
**Lusac**



**Raybestos**  
The best in brakes

**CILINDROS MAESTROS**

**114190 - 390007**

|   |   |  |  |
|---|---|--|--|
|  <p><b>114190</b><br/>22.2 mm 7/8"</p>     |  <p><b>114192</b><br/>24.0 mm</p>              |  <p><b>114195</b><br/>24.0 mm</p>          |  <p><b>116402</b><br/>22.2 mm 7/8"</p>        |
|  <p><b>116403</b><br/>22.2 mm 7/8"</p>    |  <p><b>116625</b><br/>24.0 &amp; 36.0 mm</p>  |  <p><b>116702</b><br/>44.4 mm 1-3/4"</p>  |  <p><b>117583</b><br/>21.0 &amp; 30.2 mm</p> |
|  <p><b>119401</b><br/>44.4 mm 1-3/4"</p> |  <p><b>LC-120369</b><br/>26.9 mm 1-1/16"</p> |  <p><b>120590</b><br/>31.7 mm 1-1/4"</p> |  <p><b>120794</b><br/>23.8 mm 15/16"</p>    |
|  <p><b>122572</b><br/>25.4 mm 1"</p>     |  <p><b>390004</b><br/>20.6 mm 13/16"</p>     |  <p><b>390006</b><br/>19.0 mm 3/4"</p>   |  <p><b>390007</b><br/>23.8 mm 15/16"</p>    |



**Lusac**



**Raybestos**  
The best in brakes

FOTOS CILINDROS MAESTROS

## CILINDROS MAESTROS

390018 - 390115





**Lusac**



**Raybestos**  
The best in brakes

**CILINDROS MAESTROS**

**390116 - 390178**





**Lusac**



**Raybestos**  
The best in brakes

FOTOS CILINDROS MAESTROS

## CILINDROS MAESTROS

390179 - 390224

















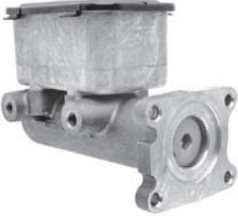



**Lusac**



**Raybestos**  
The best in brakes

**CILINDROS MAESTROS**

**390225 - 390256**

|  |  |   |  |
|--|--|---|--|
|  <p><b>390225</b><br/>23.8 mm 15/16"</p>    |  <p><b>390226</b><br/>25.4 mm 1"</p>      |  <p><b>390231</b><br/>23.8 mm 15/16"</p>    |  <p><b>390233</b><br/>23.8 mm 15/16"</p>  |
|  <p><b>390234</b><br/>23.8 mm 15/16"</p>   |  <p><b>390235</b><br/>23.8 mm 15/16"</p> |  <p><b>390236</b><br/>26.9 mm 1-1/16"</p>  |  <p><b>390239</b><br/>23.8 mm 15/16"</p> |
|  <p><b>390244</b><br/>13/16" &amp; 1"</p> |  <p><b>390245</b><br/>25.4 mm 1"</p>    |  <p><b>390248</b><br/>26.9 mm 1-1/16"</p> |  <p><b>390251</b><br/>22.2 mm 7/8"</p>  |
|  <p><b>390253</b><br/>44.4 mm 1-3/4"</p>  |  <p><b>390254</b><br/>22.2 mm 7/8"</p>  |  <p><b>390255</b><br/>23.8 mm 15/16"</p>  |  <p><b>390256</b><br/>25.4 mm 1"</p>    |



**Lusac**

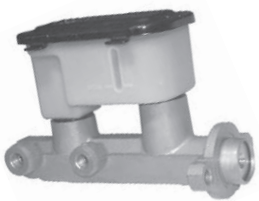












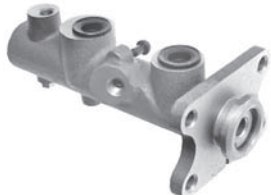




**Raybestos**  
The best in brakes

FOTOS CILINDROS MAESTROS

## CILINDROS MAESTROS

390257 - 390296

|  |  |  |  |
|--|--|--|--|
| <br><b>390257</b><br>31.7 mm 1-1/4"   | <br><b>390258</b><br>31.7 mm 1-1/4"   | <br><b>390259</b><br>28.5 & 40.0 mm | <br><b>390267</b><br>25.4 mm 1"       |
| <br><b>390268</b><br>26.9 mm 1-1/16" | <br><b>390269</b><br>26.9 mm 1-1/16" | <br><b>390271</b><br>22.2 mm 7/8" | <br><b>390275</b><br>23.8 mm 15/16"  |
| <br><b>390276</b><br>22.2 mm 7/8"   | <br><b>390277</b><br>22.2 mm 7/8"   | <br><b>390278</b><br>40 mm        | <br><b>390279</b><br>31.7 mm 1-1/4" |
| <br><b>390285</b><br>25.4 mm 1"     | <br><b>390289</b><br>25.4 mm 1"    | <br><b>390291</b><br>25.4 mm 1"   | <br><b>390296</b><br>25.4 mm 1"     |









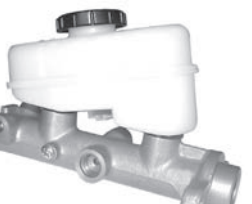






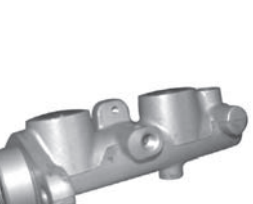


**Lusac**



**Raybestos**  
The best in brakes

**CILINDROS MAESTROS**

**390298 - 390326**

|   |   |  |   |
|---|---|--|---|
|  <p><b>390298</b><br/>25.4 mm 1"</p>       |  <p><b>390299</b><br/>25.4 mm 1"</p>     |  <p><b>390303</b><br/>25.4 mm 1"</p>       |  <p><b>390308</b><br/>25.4 mm 1"</p>           |
|  <p><b>390309</b><br/>25.4 mm 1"</p>      |  <p><b>390310</b><br/>25.4 mm 1"</p>    |  <p><b>390313</b><br/>26.9 mm 1-1/16"</p> |  <p><b>390314</b><br/>26.9 mm 1-1/16"</p>     |
|  <p><b>390317</b><br/>20.6 mm 13/16"</p> |  <p><b>390318</b><br/>22.2 mm 7/8"</p> |  <p><b>390319</b><br/>22.2 mm 7/8"</p>   |  <p><b>390320</b><br/>24.0 &amp; 36.0 mm</p> |
|  <p><b>390321</b><br/>31.7 mm 1-1/4"</p> |  <p><b>390323</b><br/>22.2 mm 7/8"</p> |  <p><b>390325</b><br/>50.8 mm 2"</p>     |  <p><b>390326</b><br/>23.8 mm 15/16"</p>     |



**Lusac**

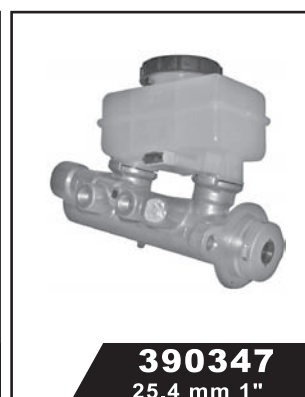


**Raybestos**  
The best in brakes

FOTOS CILINDROS MAESTROS

## CILINDROS MAESTROS

390328 - 390364









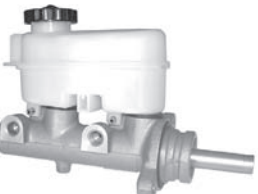




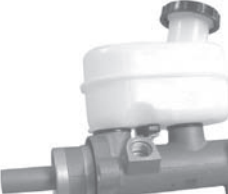






**Lusac**



**Raybestos**  
The best in brakes

**CILINDROS MAESTROS**

**390367 - 390400**

|   |  |   |  |
|---|--|---|--|
|  <p><b>390367</b><br/>25.4 mm 1"</p>       |  <p><b>390368</b><br/>25.4 mm 1"</p>        |  <p><b>390370</b><br/>25.4 mm 1"</p>        |  <p><b>390371</b><br/>25.4 mm 1"</p>        |
|  <p><b>390377</b><br/>23.8 mm 15/16"</p>  |  <p><b>390378</b><br/>25.4 mm 1"</p>       |  <p><b>390386</b><br/>25.4 mm 1"</p>       |  <p><b>390389</b><br/>31.7 mm 1-1/4"</p>   |
|  <p><b>390391</b><br/>31.7 mm 1-1/4"</p> |  <p><b>390392</b><br/>28.5 mm 1-1/8"</p>  |  <p><b>390393</b><br/>28.5 mm 1-1/8"</p>  |  <p><b>390394</b><br/>31.7 mm 1-1/4"</p>  |
|  <p><b>390395</b><br/>25.4 mm 1"</p>     |  <p><b>390398</b><br/>26.9 mm 1-1/16"</p> |  <p><b>390399</b><br/>26.9 mm 1-1/16"</p> |  <p><b>390400</b><br/>26.9 mm 1-1/16"</p> |



**Lusac**

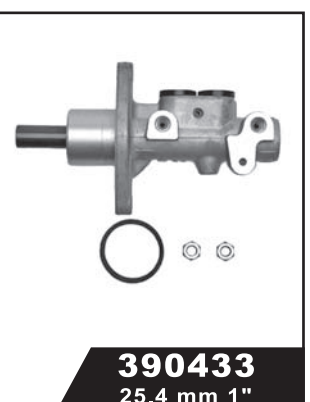
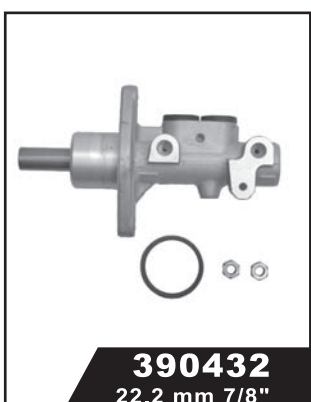
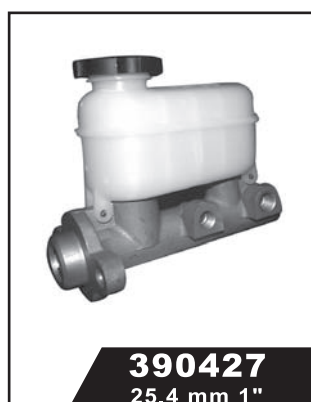


**Raybestos**  
The best in brakes

FOTOS CILINDROS MAESTROS

## CILINDROS MAESTROS

390401 - 390447












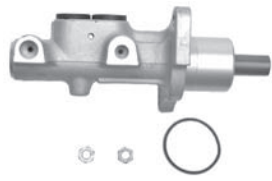







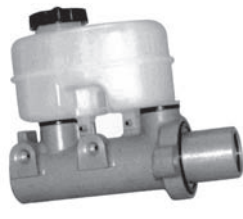
**Lusac**



**Raybestos**  
The best in brakes

**CILINDROS MAESTROS**

**390448 - 390516**

|  |   |  |   |
|--|---|--|---|
|  <p><b>390448</b><br/>23.8 mm 15/16"</p>      |  <p><b>390449</b><br/>23.8 mm 15/16"</p>   |  <p><b>390450</b><br/>23.8 mm 15/16"</p>   |  <p><b>390451</b><br/>25.4 mm 1"</p>       |
|  <p><b>390455</b><br/>25.4 mm 1"</p>         |  <p><b>390463</b><br/>25.4 mm 1"</p>      |  <p><b>390465</b><br/>44.4 mm 1-3/4"</p> |  <p><b>390479</b><br/>23.8 mm 15/16"</p>  |
|  <p><b>390480</b><br/>13/16" &amp; 3/4"</p> |  <p><b>390488</b><br/>23.8 mm 15/16"</p> |  <p><b>390491</b><br/>3/4" &amp; 1"</p>  |  <p><b>390500</b><br/>23.8 mm 15/16"</p> |
|  <p><b>390508</b><br/>23.8 mm 15/16"</p>    |  <p><b>390514</b><br/>23.8 mm 15/16"</p> |  <p><b>390515</b><br/>23.8 mm 15/16"</p> |  <p><b>390516</b><br/>31.7 mm 1-1/4"</p> |



**Lusac**

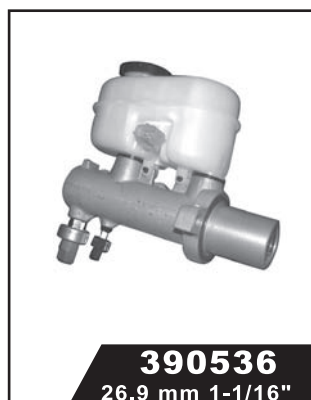


**Raybestos**  
The best in brakes

FOTOS CILINDROS MAESTROS

## CILINDROS MAESTROS

390521 - 390564














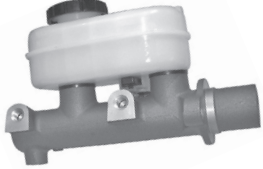






**Lusac**



**Raybestos**  
The best in brakes

**CILINDROS MAESTROS**

**390565 - 390613**

|  |  |   |   |
|--|--|---|---|
|  <p><b>390565</b><br/>50.8 mm 2"</p>            |  <p><b>390569</b><br/>25.4 mm 1"</p>            |  <p><b>390570</b><br/>26.9 mm 1-1/16"</p> |  <p><b>390571</b><br/>25.4 mm 1"</p>       |
|  <p><b>390573</b><br/>26.9 mm 1-1/16"</p>      |  <p><b>390577</b><br/>23.8 mm 15/16"</p>       |  <p><b>390579</b><br/>22.2 mm 7/8"</p>   |  <p><b>390580</b><br/>33.3 mm 1-5/16"</p> |
|  <p><b>390581</b><br/>25.4 mm 1"</p>          |  <p><b>390582</b><br/>25.4 mm 1"</p>          |  <p><b>390584</b><br/>25.4 mm 1"</p>    |  <p><b>390590</b><br/>50.8 mm 2"</p>     |
|  <p><b>390593</b><br/>13/16" &amp; 15/16"</p> |  <p><b>390594</b><br/>13/16" &amp; 15/16"</p> |  <p><b>390608</b><br/>25.4 mm 1"</p>    |  <p><b>390613</b><br/>25.4 mm 1"</p>     |



**Lusac**

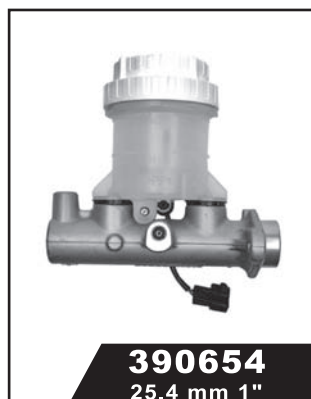
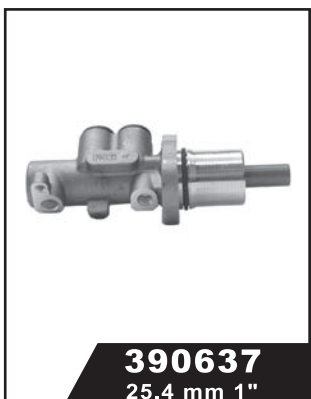


**Raybestos**  
The best in brakes

FOTOS CILINDROS MAESTROS

## CILINDROS MAESTROS

390615 - 390663

















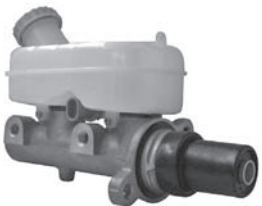



**Lusac**



**Raybestos**  
The best in brakes

**CILINDROS MAESTROS**

**390676 - 390711**

|   |   |   |  |
|---|---|---|--|
|  <p><b>390676</b><br/>23.8 mm 15/16"</p>   |  <p><b>390678</b><br/>23.8 mm 15/16"</p>     |  <p><b>390690</b><br/>25.4 mm 1"</p>        |  <p><b>390691</b><br/>25.4 mm 1"</p>          |
|  <p><b>390693</b><br/>25.4 mm 1"</p>      |  <p><b>390695</b><br/>26.9 mm 1-1/16"</p>   |  <p><b>390696</b><br/>26.9 mm 1-1/16"</p>  |  <p><b>390697</b><br/>25.4 mm 1"</p>         |
|  <p><b>390698</b><br/>20.6 mm 13/16"</p> |  <p><b>390700</b><br/>20.6 mm 13/16"</p>   |  <p><b>390702</b><br/>25.4 mm 1"</p>      |  <p><b>390703</b><br/>3/4" &amp; 15/16"</p> |
|  <p><b>390708</b><br/>23 8 mm 15/16"</p> |  <p><b>390709</b><br/>26.9 mm 1- 1/16"</p> |  <p><b>390710</b><br/>26.9 mm 1-1/16"</p> |  <p><b>390711</b><br/>26.9 mm 1-1/16"</p>   |



**Lusac**


















**Raybestos**  
The best in brakes

FOTOS CILINDROS MAESTROS

## CILINDROS MAESTROS

390712 - 390749

|   |   |  |  |
|---|---|--|--|
|  <p><b>390712</b><br/>26.9 mm 1-1/16"</p>  |  <p><b>390719</b><br/>23.8 mm 15/16"</p>   |  <p><b>390721</b><br/>23.8 mm 15/16"</p>    |  <p><b>390722</b><br/>22.2 mm 7/8"</p>      |
|  <p><b>390724</b><br/>22.2 mm 7/8"</p>    |  <p><b>390730</b><br/>23.8 mm 15/16"</p>  |  <p><b>390732</b><br/>33.3 mm 1-5/16"</p>  | <p><b>N/D</b></p> <p><b>390739</b><br/>25.4 mm 1"</p>  |
|  <p><b>390740</b><br/>31.7 mm 1-1/4"</p> |  <p><b>390741</b><br/>28.5 mm 1-1/8"</p> |  <p><b>390742</b><br/>33.3 mm 1-5/16"</p> |  <p><b>390745</b><br/>33.3 mm 1-5/16"</p> |
|  <p><b>390746</b><br/>20.6 mm 13/16"</p> |  <p><b>390747</b><br/>23.8 mm 15/16"</p> |  <p><b>390748</b><br/>23.8 mm 15/16"</p>  |  <p><b>390749</b><br/>23.8 mm 15/16"</p>  |



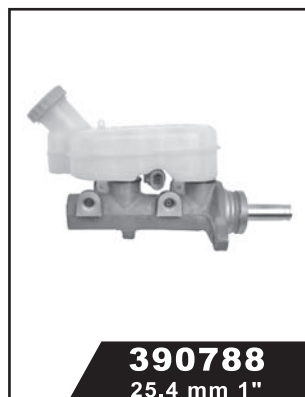
**Lusac**



**Raybestos**  
The best in brakes

**CILINDROS MAESTROS**

**390753 - 390788**





**Lusac**

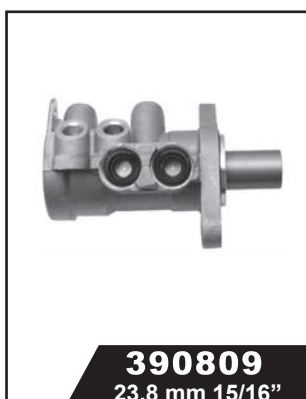


**Raybestos**  
The best in brakes

## CILINDROS MAESTROS

390790 - 390843

FOTOS CILINDROS MAESTROS





















**Lusac**



**Raybestos**  
The best in brakes

**CILINDROS MAESTROS**

**390847 - 390930**

|   |   |  |   |
|---|---|--|---|
|    |    |    |    |
| <b>390847</b><br>31.7 mm 1-1/4"   | <b>390849</b><br>31.7 mm 1-1/4"   | <b>390852</b><br>25.4 mm 1"  | <b>390857</b><br>22.2 mm 7/8"   |
|   |   |   |   |
| <b>390867</b><br>25.4 mm 1"   | <b>390874</b><br>25.4 mm 1"   | <b>390898</b><br>22.2 mm 7/8"  | <b>390899</b><br>23.8 mm 15/16"   |
|  |  |  |  |
| <b>390901</b><br>20.6 mm 13/16"   | <b>390911</b><br>20.6 mm 13/16"   | <b>390921</b><br>22.2 mm 7/8"  | <b>390923</b><br>13/16" & 7/8"  |
|  |  |  |  |
| <b>390924</b><br>25.4 mm 1"   | <b>390925</b><br>23.8 mm 15/16"   | <b>390926</b><br>25.4 mm 1"  | <b>390930</b><br>25.4 mm 1"   |



**Lusac**













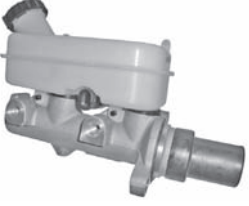





**Raybestos**  
The best in brakes

FOTOS CILINDROS MAESTROS

**CILINDROS MAESTROS**

**390931 - 5015160**

|   |  |  |  |
|---|--|--|--|
|  <p><b>390931</b><br/>22.2 mm 7/8"</p>       |  <p><b>390941</b><br/>20.6 mm 13/16"</p>    |  <p><b>390951</b><br/>206 mm 13/16"</p>     |  <p><b>390978</b><br/>25.4 mm 1"</p>        |
|  <p><b>390979</b><br/>25.4 mm 1"</p>       |  <p><b>390991</b><br/>25.4 mm 1"</p>       |  <p><b>391005</b><br/>20.6 mm 13/16"</p>   |  <p><b>391026</b><br/>37.0 mm</p>          |
|  <p><b>475431</b><br/>26.9 mm 1 1/16"</p>  |  <p><b>475973</b><br/>9 mm 1-1/16"</p>    |  <p><b>2623214</b><br/>31.7 mm 1-1/4"</p> |  <p><b>3495064</b><br/>22.2 mm 7/8"</p>   |
|  <p><b>4721565</b><br/>26.9 mm 1-1/16"</p> |  <p><b>5011256</b><br/>31.7 mm 1-1/4"</p> |  <p><b>5011260</b><br/>25.4 mm 1"</p>     |  <p><b>5015160</b><br/>23.8 mm 15/16"</p> |



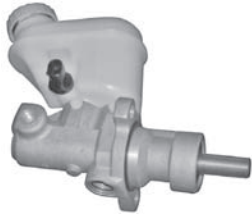
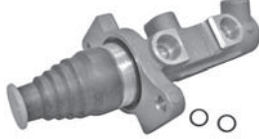
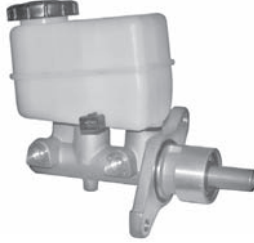

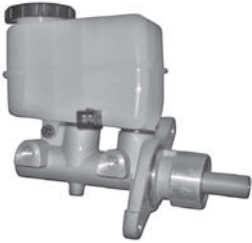

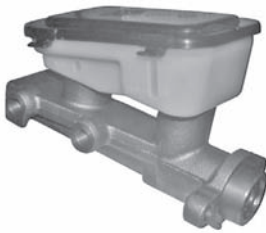





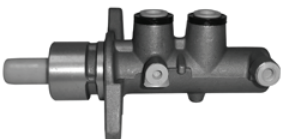



**Lusac**



**Raybestos**  
The best in brakes

**CILINDROS MAESTROS**

**5017973 - 93305031**

|   |   |  |   |
|---|---|--|---|
|  <p><b>5017973</b><br/>23.8 mm 15/16"</p>    |  <p><b>05019401</b><br/>25.4 mm 1"</p>       |  <p><b>05069615</b><br/>20.6 mm 13/16"</p>       |  <p><b>5080888</b><br/>33.3 mm 1-5/16"</p>   |
|  <p><b>5083353</b><br/>20.6 mm 13/16"</p>   |  <p><b>9193225</b><br/>23.8 mm 15/16"</p>   |  <p><b>18009372</b><br/>24 mm &amp; 31.7 mm</p> |  <p><b>18026274</b><br/>25.4 mm 1"</p>      |
|  <p><b>18029970</b><br/>40 mm</p>          |  <p><b>18060790</b><br/>37 mm</p>          |  <p><b>39009900</b><br/>25.4 mm 1"</p>         |  <p><b>39009901</b><br/>22.2 mm 7/8"</p>   |
|  <p><b>39009902</b><br/>22.6 mm 13/16"</p> |  <p><b>39009903</b><br/>23.8 mm 15/16"</p> |  <p><b>93172089</b><br/>25.4 mm 1"</p>         |  <p><b>93305031</b><br/>23.8 mm 15/16"</p> |



**Lusac**


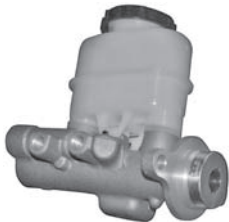



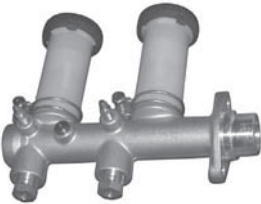







**Raybestos**  
The best in brakes

FOTOS CILINDROS MAESTROS

## CILINDROS MAESTROS

## 4601000Q - XF5Z2140

|   |  |   |   |
|---|--|---|---|
| <br><b>4601000Q</b><br>20 6 mm 13/16"    | <br><b>460107B7</b><br>25.4 mm 1"     | <br><b>460108B6</b><br>25.4 mm 1"    | <br><b>46010A05</b><br>19.0 mm & 23.8 mm |
| <br><b>46010F40</b><br>23.8 mm 15/16"   | <br><b>46010J01</b><br>22.2 mm 7/8"  | <br><b>46010W87</b><br>22.2 mm 7/8" | <br><b>F7RZ2140</b><br>25.4 mm 1"      |
| <br><b>IJ1614019</b><br>23.8 mm 15/16" | <br><b>MIS55214</b><br>22.2 mm 7/8" | <br><b>XF5Z2140</b><br>25.4 mm 1"  |   |